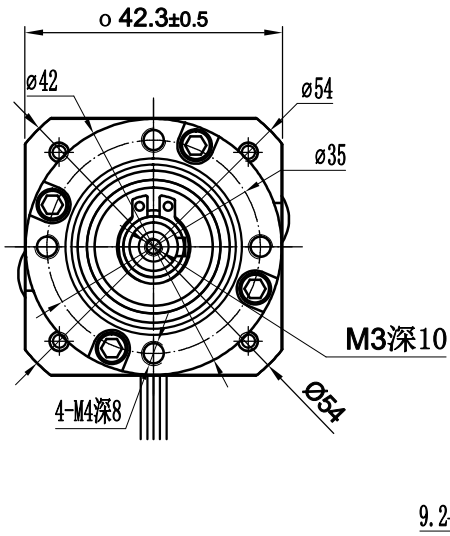
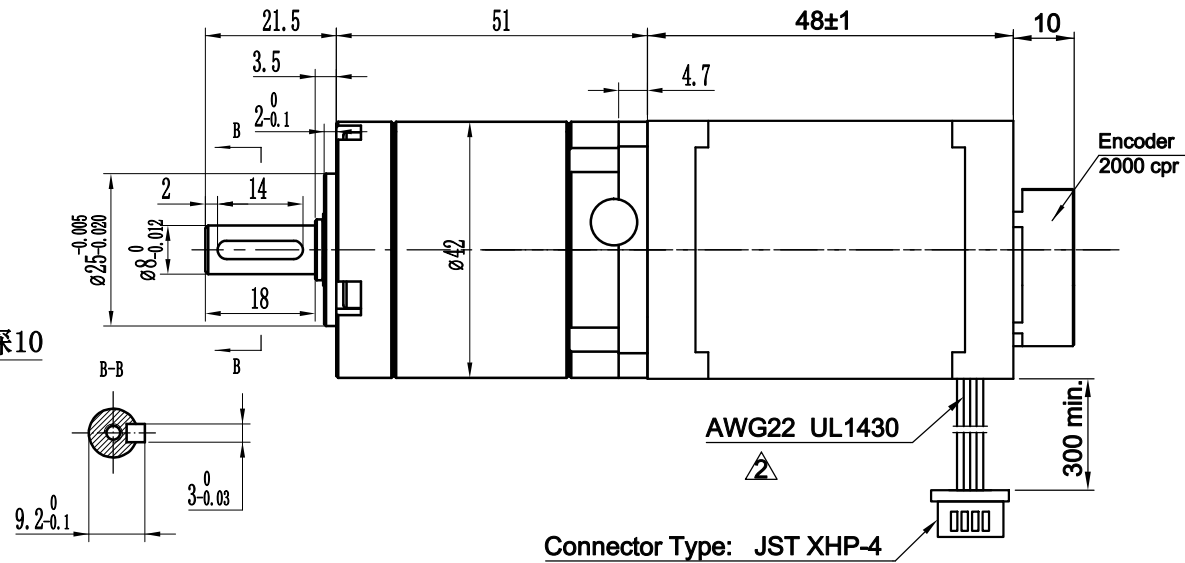


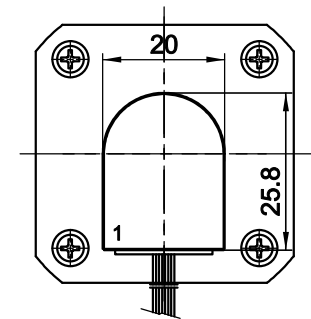
Front view and mounting



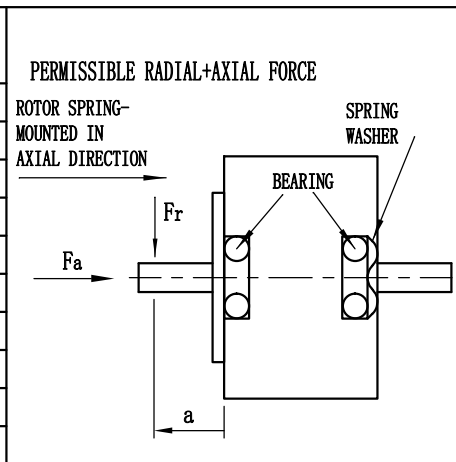
Side view



Rear view



SPECIFICATION	CONNECTION	BIPOLAR
VOLTAGE (VDC)		1.9
AMPS/PHASE		1.8
RESISTANCE/PHASE (Ohms)@25° C		0.63±15%
INDUCTANCE/PHASE (mH) @1KHz		1.03±20%
HOLDING TORQUE (Nm) [lb-in]		0.5 [4.43]
DETENT TORQUE (Nm) [lb-in]		2.2x10 ⁻² [0.2]
STEP ANGLE (°)		1.8
STEP ACCURACY (NON-ACCUM)		±5%
ROTOR INERTIA (Kg-m ²) [lb-in ²]		0.82x10 ⁻⁵ [2.8x10 ⁻²]
WEIGHT (Kg) [lb]		

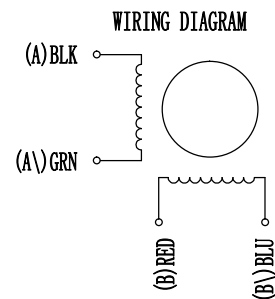


PIN NO	TYPE OF CONNECTION (EXTERN)		MOTOR	
	BIPOLAR	LEADS	WINDING	
1	A	BLK	A	
2	A\	GRN	A\	
3	B	RED	B	
4	B\	BLU	B\	

TEMPERATURE RISE: MAX. 80° C (MOTOR STANDSTILL; FOR 2 PHASE ENERGIZED)	AXIAL-FORCE Fa (N)	Fa=7			
AMBIENT TEMPERATURE -10° ~ 50° C [14° F ~ 122° F]	DISTANCE a (mm)	5	10	15	20
INSULATION RESISTANCE 100 MOhm (UNDER NORMAL TEMPERATURE AND HUMIDITY)	RADIAL-FORCE Fr (N)	58	36	26	20
INSULATION CLASS B 130° [266° F]		AXIAL		RADIAL	
DIELECTRIC STRENGTH 500VAC FOR 1 MIN. (BETWEEN THE MOTOR COILS AND THE MOTOR CASE)	SHAFT PLAY (mm)	0.08		0.02	
AMBIENT HUMIDITY MAX. 85% (NO CONDENSATION)	AT LOAD MAX: (N)	4.5		4.5	

FULL STEP 2 PHASE-Ex.,
WHEN FACING MOUNTING END (X)

STEP	A	B	A\	B\	CCW	CW
1	+	+	-	-	↓	↑
2	-	+	+	-	↓	↑
3	-	-	+	+	↓	↑
4	+	-	-	+	↓	↑



REV	DESCRIPTION	DATE	DRN	Surface specification DIN ISO 1302	General tolerances DIN ISO 2768- cH	Work piece edge DIN ISO 13715	APVD	L. J	22.05.14	STEPPING MOTOR
							CHKD			
							DRN	ZF. C	22.05.14	DWG. NO
							SIGNATURE		DATE	YL4218L1804-E2000-G20