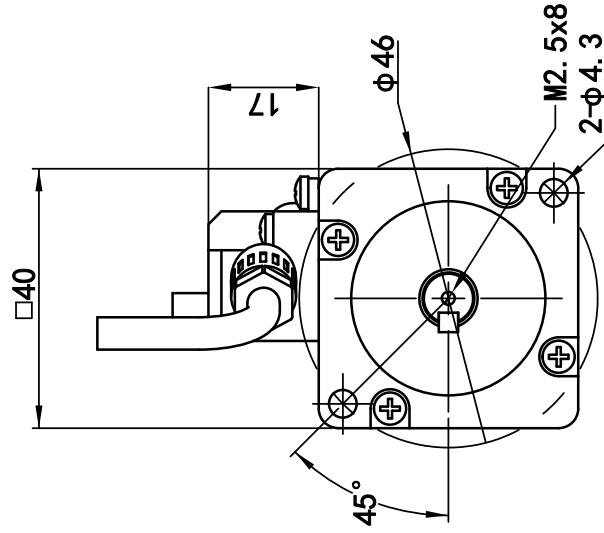


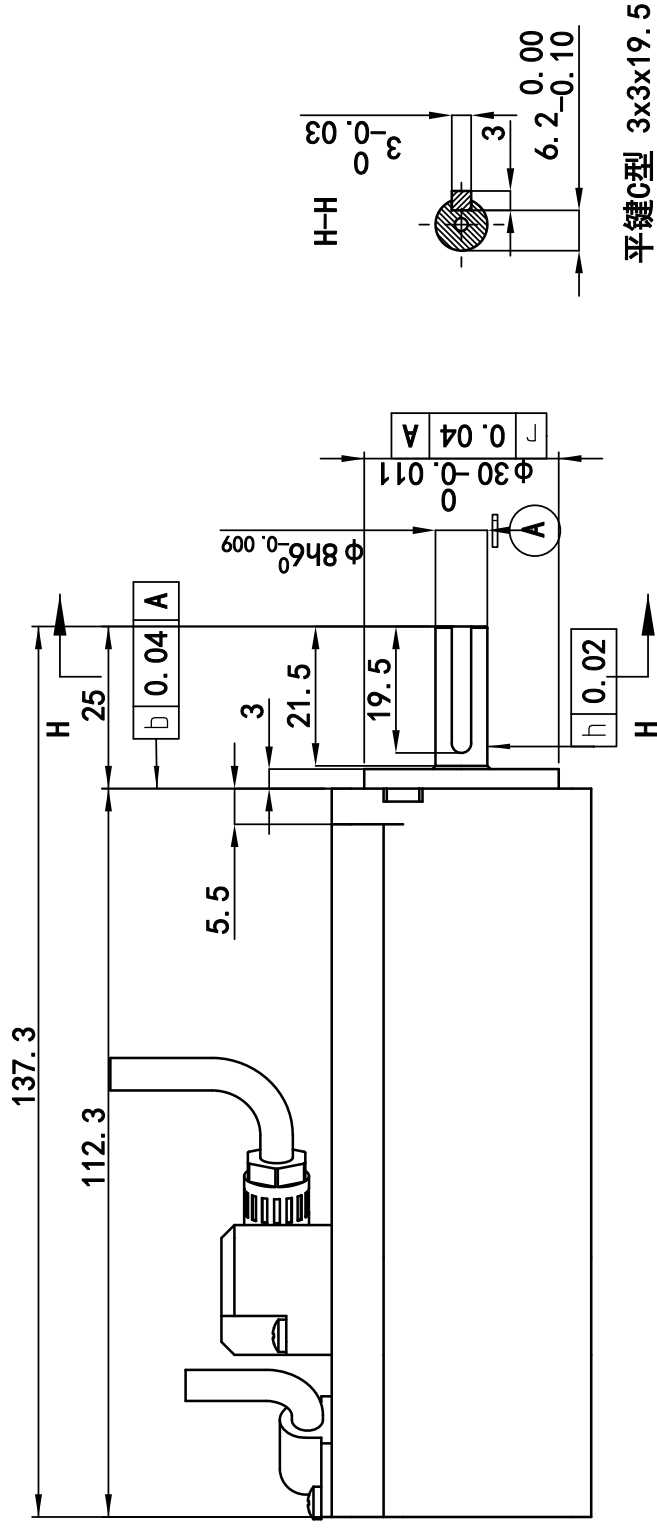
Front view and mounting



电动机规格书/Motor Specification

电机极数/Poles	10
电压/Voltage	24
电阻/Resistance	0.38±10%
电感/Inductance	0.3mH±20%
额定电流/Rated Current	5 A
额定转矩/Rated Torque	0.32 Nm
额定转速/Rated Speed	3000 rpm
额定功率/Rated Power	100W
位置传感器/Encoder	光电编码器2500PR
使用温度范围/Operation Ambient Temperature	-20~40 °C
保存温度范围/Storage Ambient Temperature	-40~65 °C
反电势系数/Back EMF coefficient	3.9
峰值扭矩/Peak Torque	0.64 Nm
瞬时电流/Peak Current	10 A
制动器电压/Break Voltage	24 V
重量/Weight	0.8 Kg

Side view



平键C型 3x3x19.5

接线图/Wiring Diagram

JST VHR-4N	
Motor Cable	Break Cable
1 RED U	1 BRN BR+
2 BLUE V	2 WH BR-
3 BLK W	
4 NG NC	

信号定义
Signal definition

JST XHP-8				
PIN	FUN	Note	PIN	FUN Note
1	+5V	RD	6	Ha112 BLU
2	A	GRN	7	Ha113 ORG
3	B	GEY	8	GND BLK
4	Z	YEL	/	/
5	Ha111	BRN	/	/

铭牌内容/Lable Discription

DC SERVO MOTOR 直流伺服电机		型号 Model	EC40TM024100K8EB
批准 Approved	J. Song	20.10.26	材质 Material
审核 Checked	OB.Y	20.10.26	公差 Tolerance
制图 Drawn	QC.Y	20.10.26	比例 Scale
			±0.2 No.
			1:1
			页 Sheet
			1/1

WWW.YANLANMC.COM/WWW.YANLAN.NET

C	初版/First Edition	日期 DATE
B	变更内容 Revisions	
A		
版本 Edition		

RoHS COMPLIANT

CE

Yanlanmc
For smarter equip