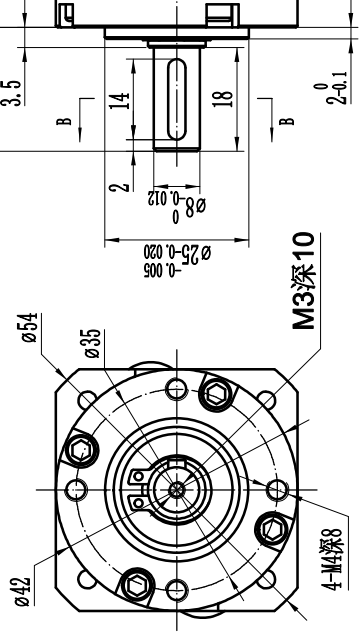
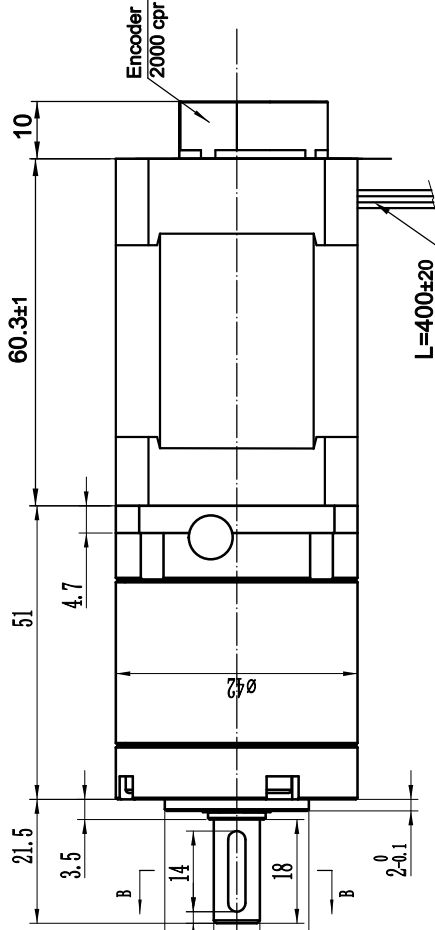


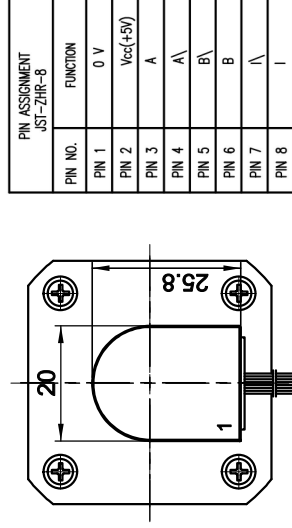
Front view and mounting



Side view

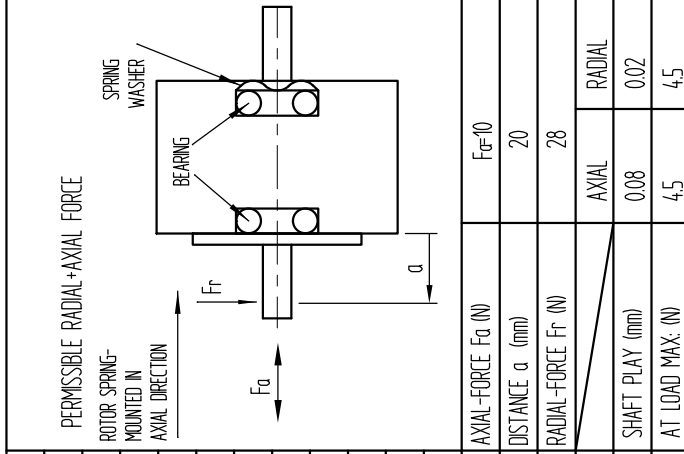


Rear view

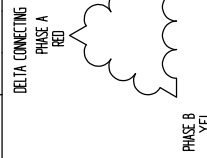


PIN ASSIGNMENT JST-ZHR-8	
PIN NO.	FUNCTION
PIN 1	0 V
PIN 2	Vcc(+5V)
PIN 3	A
PIN 4	A'
PIN 5	B'
PIN 6	B
PIN 7	A
PIN 8	I

SPECIFICATION	CONNECTION	DELTA
NO. OF POL./PHASE	8/3	
VOLTAGE RATED (VDC)	24 VDC	
CURRENT NO LOAD/RATED/PEAK (AMP)	35/10/5	
RESISTANCE/PHASE TO PHASE (Ohms) @25°C	4.3±10%	
INDUCTANCE/PHASE TO PHASE (mH) @KHz	2.65±20%	
TORQUE RATED/PEAK (Nm)	0.125/0.38	
TORQUE CONSTANT (Nm/A)	0.036	
POWER RATED (W)	50	
SPEED RATED/NO LOAD (RPM)	3000/3500	
ROTOR INERTIA (g · cm ²)	4.8x10 ⁻⁶	
WEIGHT (kg)	0.6	
TEMPERATURE RISE: MAX.80°C		
AMBIENT TEMPERATURE -10~ 50°C (14°F ~ 122°F)		
INSULATION RESISTANCE 100 MOhm (UNDER NORMAL TEMPERATURE AND HUMIDITY)		
INSULATION CLASS B (30° (266°F))		
DIELECTRIC STRENGTH 500VAC FOR 1 MIN. (BETWEEN THE MOTOR COILS AND THE MOTOR CASE)		
AMBIENT HUMIDITY MAX. 85% (NO CONDENSATION)		



MOTOR	COLOR	FUNCTION	DIR.						LEAD GAUGE
			U	X	H	HI	X	LOW	
8 POL.	RED	U	X	H	HI	X	LOW	LOW	UL1430 AWG20
	YEL	V	HI	X	LOW	X	HI		
	BLK	W	LOW	LOW	X	HI	X		
HALL 24 IMPL REV.	RED	+5V							UL1430 AWG26
	BLU	H1	0	0	0	1	1	1	
	GRN	H2	0	1	1	1	0	0	
	WHT	H3	1	1	0	0	0	1	
	BLK	GND							



REV	DESCRIPTION	DATE	DRN

Yanlan Motion Control		www.yanlanmc.com	
SCALE FREE	APVD	J.C	J.C
X ±0.5	CHKD	2022.01.19	2022.01.19
PHL ±0.2	DRN	2022.01.19	2022.01.19
ZPL ±0.1	SIGNATURE	DATE	DATE
ANGLE ±30'			

BRUSHLESS DC GEAR MOTOR
DWGNO YL42BL610852E8000G20