

多圈/单圈绝对值旋转编码器-BRTE

Multi-turn absolute value rotary encoder

由精密金属齿轮及多个高精度磁传感器构成的编码器，无须计数、无须电池、无须靠停电记忆；量程范围内任何位置都是唯一的，即使有干扰或断电运动，都不会丢失位置信息，且量程范围内最高可实现0.08度的分辨率，现有圈数为：24、50、99、150、1287、4968、19872圈等；所有参数均可通过电脑的RS485/CAN通讯进行设定，可在任意位置设定零点，简化了用户安装。

特别适用于塔式起重机、矿山起重机、施工升降机、机床、3D 打印机、自动化流水线、工业机器人、印刷机械、包装机械、物流机械、移动广告屏幕滑轨等设备的高度、行程、角度及速度的可靠/精确测量。

The encoder composed of precision metal gears and a plurality of high-precision magnetic sensors does not need counting, battery and power failure memory; Any position within the range is unique. Even if there is interference or power-off movement, the position information will not be lost, and the maximum resolution within the range can be 0.08 degrees. The existing number of turns is 24, 50, 99, 150, 1287, 4968, 19872, etc; All parameters can be set through the RS485 / can communication of the computer, and the zero point can be set at any position, which simplifies the user's installation.

It is especially suitable for reliable / accurate measurement of height, stroke, angle and speed of tower crane, mine crane, construction elevator, machine tool, 3D printer, automatic assembly line, industrial robot, printing machinery, packaging machinery, logistics machinery, mobile advertising screen slide rail and other equipment.



Feature

- Configuration and reading via CAN/RS485/SPI CAN/RS485/SPI接口通信
- Full range true multiturn encoder 全量程真多圈编码器
- 0.35 degree resolution in all ranges 量程范围内都可实现0.35 度的分辨率
- Zero point can be set at any position 可在任意位置设定零点
- Multiple specifications available 多种规格可选

PARAMETERS

工作电压 Operating Voltage V	5、24V
工作电流 Current mA	50mA
线性度 Linearity %	0.15/0.5
内核刷新周期 Kernel refresh cycle us	50us
通信 Communication	CAN、RS485、SSI、模拟量输出
轴的最大负载 Allowable load of the shaft Max.	20 N axial, 80 N radial
最大机械转速 Maximum speed	1000rpm
外壳防护等级 Protection	IP54、IP67、IP68
环境温度 Ambient temperature	-40 ~ + 85°C
重量 Weight	150 g (Including 1.2m shielded cable)

订货代号 ORDER IDENTIFIER

BRTE25DxC10-M-R4-CYAN
BRTE25: 外形尺寸, 可选25,27,38,50mm
Dx: D1单圈绝对值/Dx多圈绝对值圈数
C10= Single-turn resolution 单圈分辨率
M=modbus,C-CAN,A-Analog,S-SSI
R4输出轴4mm BH8盲孔

可选 Optional

可选圈数 Multiturns Optional
D24/D99/D1287
C10: 10位单圈上的分辨率
单圈可选: 10/12/14/15
多圈可选: 10/12
通信可选Communication optional
M=Modbus(RS485)
C=CAN
S=SSI
A=Analog

可选配件 ACCESSORIES

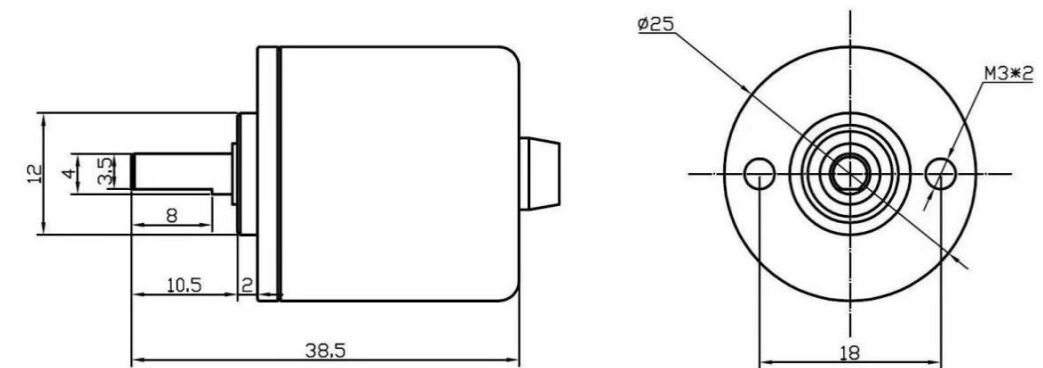
Encoder Cable 1m or other
USB-RS485 Protocol converter
USB-CAN Protocol converter
Mounting brackets

多圈/单圈绝对值旋转编码器-BRTE

Multi-turn absolute value rotary encoder

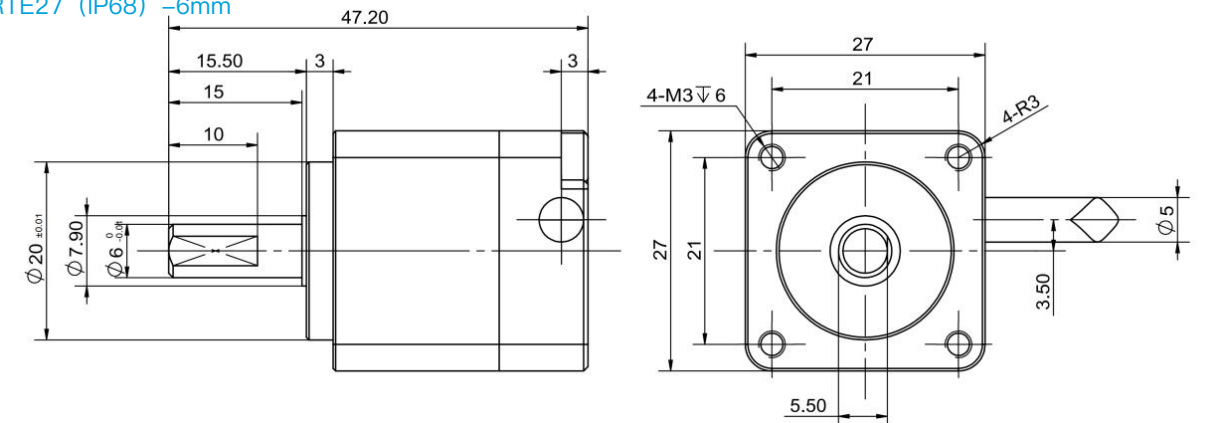
DIMENSIONS (IN MM)

BRTE25-4mm



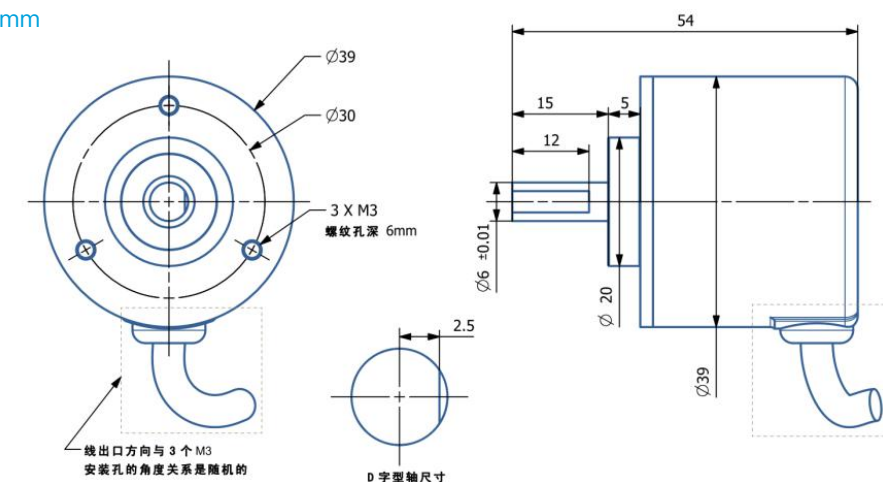
DIMENSIONS (IN MM)

BRTE27 (IP68) -6mm



DIMENSIONS (IN MM)

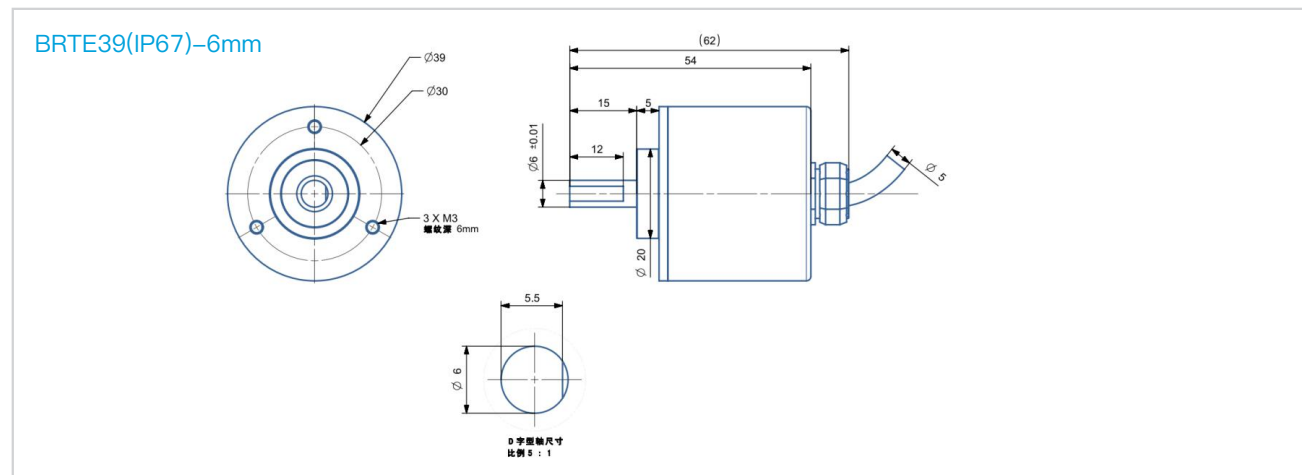
BRTE38(IP54)-6mm



多圈/单圈绝对值旋转编码器-BRTE

Multi-turn absolute value rotary encoder

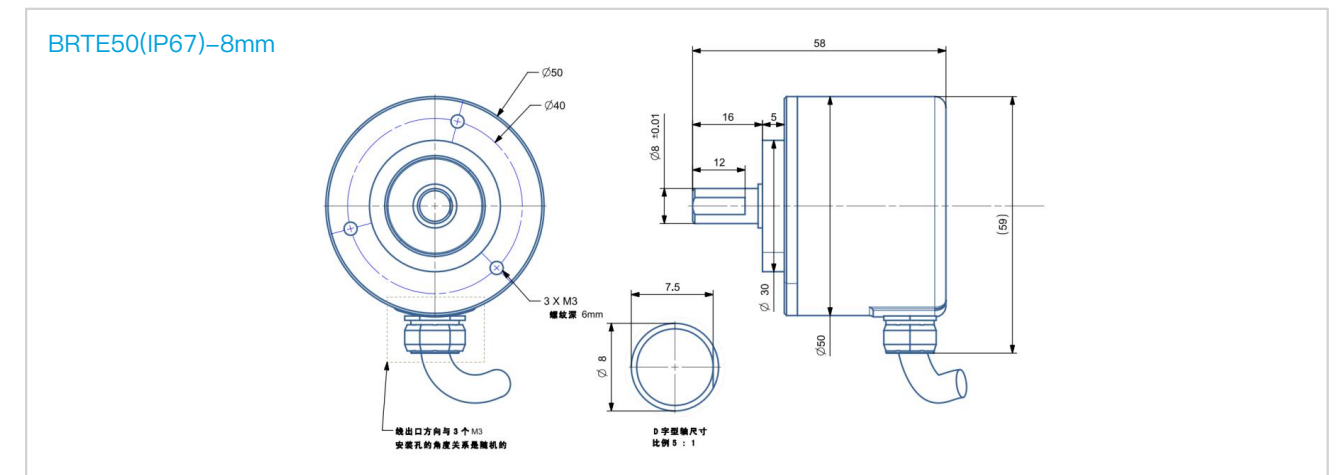
DIMENSIONS (IN MM)



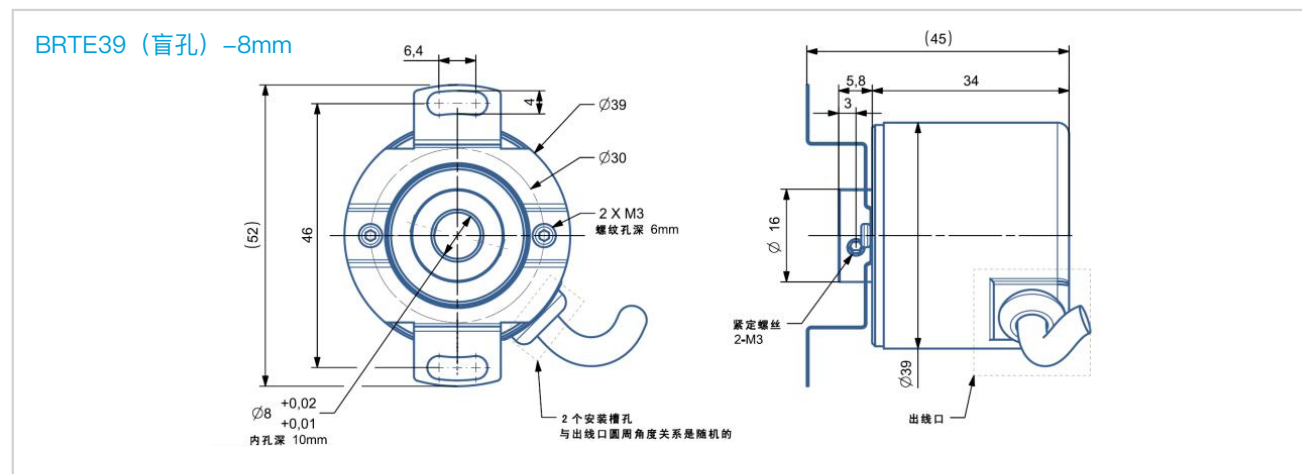
多圈/单圈绝对值旋转编码器-BRTE

Multi-turn absolute value rotary encoder

DIMENSIONS (IN MM)



DIMENSIONS (IN MM)



DIMENSIONS (IN MM)

