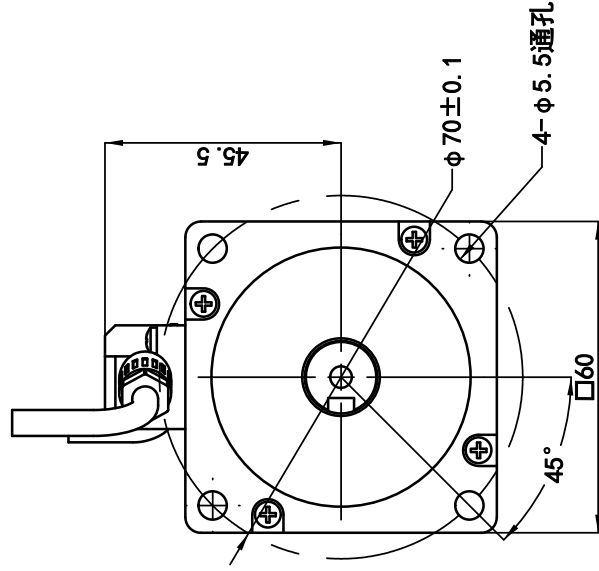
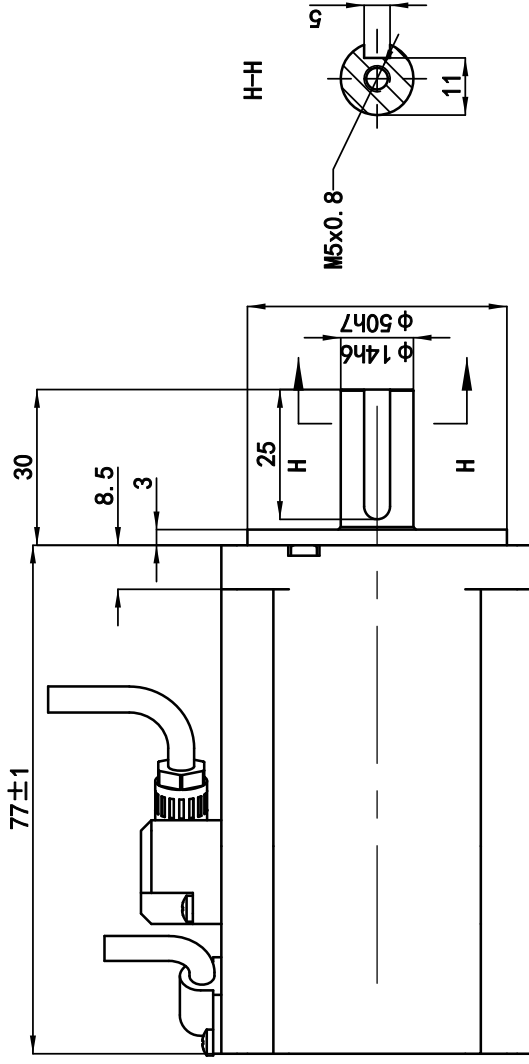


Front view and mounting



Side view



电动机规格书/Motor Specification

电机极数/Poles	10
电压/电压	48
电阻/Resistance	0.44±10%
电感/Inductance	0.12mH±20%
额定电流/Rated Current	5.2 A
额定转矩/Rated Torque	0.64 Nm
额定转速/Rated Speed	3000 rpm
额定功率/Rated Power	200W
位置传感器/Encoder	绝对编码器2500PPR
使用温度范围/Operation Ambient Temperature	-20~40 °C
保存温度范围/Storage Ambient Temperature	-40~65 °C
反电势系数/Back EMF coefficient	7.5
峰值扭矩/Peak Torque	1.28 Nm
重量/Kg	1.37 Kg

接线图/Wiring Diagram

JST VHR-4N

Motor Cable	Color	Function
1	RED	U
2	BLUE	V
3	BLK	W
4	NC	NC

信号定义
Signal definition

JST PADA-12V-1

PIN	FUN	Note	PIN	FUN	Note
1	GND	BLK	7	I	YEL
2	VCC	RED	8	I\	YE/BK
3	A	BLUE	9	H1	BRN
4	B	GRN	10	H2	GEY
5	A\	BU/BK	11	H3	WH
6	B\	GN/BK	12	SHIELD	BLU

铭牌内容/Lable Discription

C	初版/First Edition	日期 DATE
B	变更内容 Revisions	设计 Designed
A		
版本 Edition		

WWW. YANLANMC. COM/WWW. YANLAN. NET

ROHS COMPLIANT

CE



DC SERVO MOTOR 直流伺服电机

型号 Model EC60TM048200K14CE

批准 Approved	J. Song	20.10.26	材质 Material	
审核 Checked	08. Y	20.10.26	公差 Tolerance	±0.2
制图 Drawn	08. Y	20.10.26	比例 Scale	1:1
			页 Sheet	1/1