

60法兰200W高性能伺服电机-EC60200

60 series 200W servo motor-IP65 protection-EC60200

EC60200是一款结构紧凑，定位精度高的IP防护伺服电机。额定功率3000rpm，编码器分辨率为10000线，多种总线控制器可选配。

EC60200 is an IP-protected servo motor with compact structure and high positioning accuracy. The rated power is 100w, the rated speed is 3000rpm, and a variety of bus controllers are optional.

◎ Feature

- Compact structure 结构紧凑,行业内最短尺寸
- Built-in encoder 内置编码器
- Longer life and higher accuracy 更长的寿命和更高的精度
- Motor Controllers / Drives available 电机控制器/驱动器可用

◎ VERSIONS



系列代码 Series models	EC60200
相电流 Current per Winding A	4.96
额定力矩 Rated Torque mN.m	0.48
峰值力矩 Peak Torque mN.m	3倍
电压 Rated voltage V DC	48
防护等级 Protection Level	IP65
电机高度 Length "L" mm	76
反馈装置 Feedback	增量磁性编码器/光电编码器/绝对值编码器可选

订货代号 ORDER IDENTIFIER

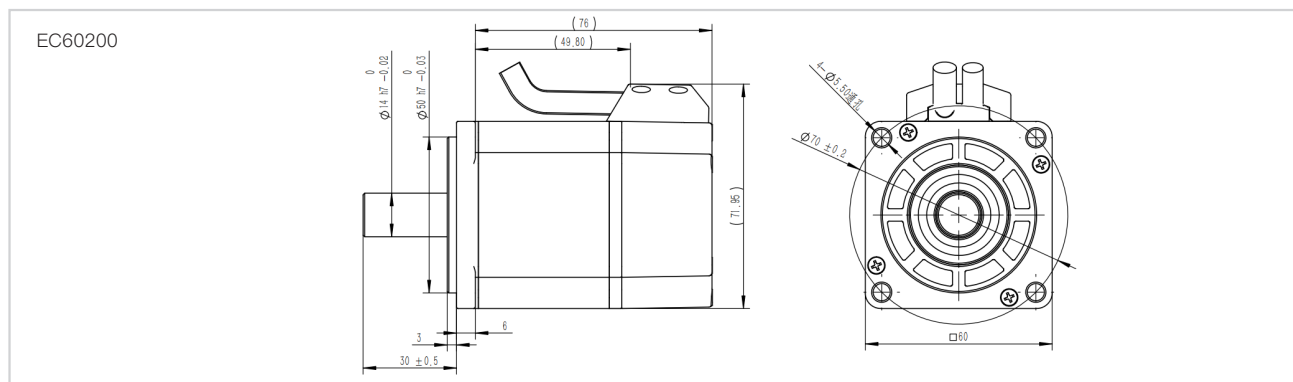
EC60200048030-EB

EC60=60系列高性能伺服电机200W
048=48V DC
030=3000rpm
E=增编码器
ME=磁性编码器
ABE=多圈绝对值编码器
B=断电机制器

可选配件 ACCESSORIES

Motor Controllers / Drives
电机驱动与控制器

DIMENSIONS (IN MM)



60系列400W伺服电机-EC60400

60 series 400W servo motor-EC60400

EC60400是一款高性能伺服电机，结构紧凑，定位精度高。额定功率400w，额定转速3000rpm，支持选配多种型号的编码器；YANLANMC可提供丰富的伺服驱动与控制解决方案。

EC60400 is a servo motor with compact structure and high positioning accuracy. The rated power is 400w, the rated speed is 3000rpm, and a variety of bus controllers are optional.

◎ Feature

- Compact structure 结构紧凑
- Built-in encoder 内置编码器
- Longer life and higher accuracy 更长的寿命和更高的精度
- Motor Controllers / Drives available 电机控制器/驱动器可用

◎ VERSIONS



系列代码 Series models	EC60400
电流 Current	14.51
额定力矩 Rated Torque N.m	1.27
峰值力矩 Peak Torque mN.m	3倍
电压 Rated voltage V DC	48
空载转速	5513
电机高度 Length "L" mm	102
反馈装置 Feedback	增量磁性编码器/光电编码器/绝对值编码器可选

订货代号 ORDER IDENTIFIER

EC60400048030-EB

EC60=60系列高性能伺服电机400W
048=48V DC
030=3000rpm
E=增编码器
ME=磁性编码器
ABE=多圈绝对值编码器
B=断电机制器

可选配件 ACCESSORIES

Motor Controllers / Drives
电机驱动与控制器

DIMENSIONS (IN MM)

