

40法兰50W高性能伺服电机-EC4050

40 series 50W servo motor-EC4050

EC4050是一款高性能伺服电机，结构紧凑，定位精度高。额定功率50w，额定转速3000rpm，编码器分辨率为4240线。支持选配多种型号的编码器；YANLANMC可提供丰富的伺服驱动与控制解决方案。

EC4050 is a servo motor with compact structure and high positioning accuracy. The rated power is 50w, the rated speed is 3000rpm, the encoder resolution is 4240 lines, and a variety of bus controllers are optional.

◎ Feature

- Compact structure 结构紧凑
- Built-in encoder 内置编码器
- Longer life and higher accuracy 更长的寿命和更高的精度
- Motor Controllers / Drives available 电机控制器/驱动器可用

◎ VERSIONS

系列代码 Series models	EC4050
电流 Current	1.48
额定力矩 Rated Torque mN.m	160
峰值力矩 Peak Torque mN.m	3倍
电压 Rated voltage V DC	48
转子惯量 Rotor Inertia gcm ²	17.8
电机高度 Length "L" mm	46
反馈装置 Feedback	增量磁性编码器/光电编码器/绝对值编码器可选



订货代号 ORDER IDENTIFIER

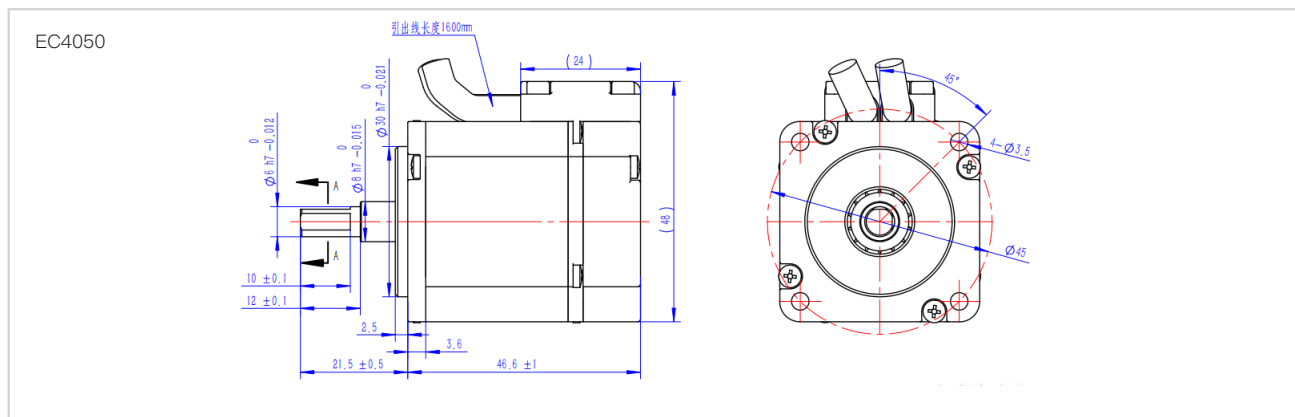
EC4050048030-EB

EC40=40系列高性能伺服电机50W
048=48V DC
030=3000rpm
E=增量编码器
ME=磁性编码器
ABE=多圈绝对值编码器
B=断电制动器

可选配件 ACCESSORIES

Motor Controllers / Drives
电机驱动与控制器

DIMENSIONS (IN MM)



40法兰100W高性能伺服电机-EC40100

40 series 100W servo motor-IP65 protection-EC40100

EC40100是一款结构紧凑，定位精度高的IP防护伺服电机。额定功率100w，额定转速3000rpm，编码器分辨率为10000线，多种总线控制器可选配。

EC40100 is an IP-protected servo motor with compact structure and high positioning accuracy. The rated power is 100w, the rated speed is 3000rpm, the encoder resolution is 10000 lines, and a variety of bus controllers are optional.

◎ Feature

- Compact structure 结构紧凑
- Built-in encoder 内置编码器
- Longer life and higher accuracy 更长的寿命和更高的精度
- Motor Controllers / Drives available 电机控制器/驱动器可用

◎ VERSIONS

系列代码 Series models	EC40100
相电流 Current per Winding A	4.78
额定力矩 Rated Torque mN.m	360
峰值力矩 Peak Torque mN.m	3倍
电压 Rated voltage V DC	48
防护等级 Protection Level	IP65
电机高度 Length "L" mm	80
反馈装置 Feedback	增量磁性编码器/光电编码器/绝对值编码器可选



订货代号 ORDER IDENTIFIER

EC40100048030-EB

EC40=40系列高性能伺服电机100W
048=48V DC
030=3000rpm
E=增量编码器
ME=磁性编码器
ABE=多圈绝对值编码器
B=断电制动器

可选配件 ACCESSORIES

Motor Controllers / Drives
电机驱动与控制器

DIMENSIONS (IN MM)

