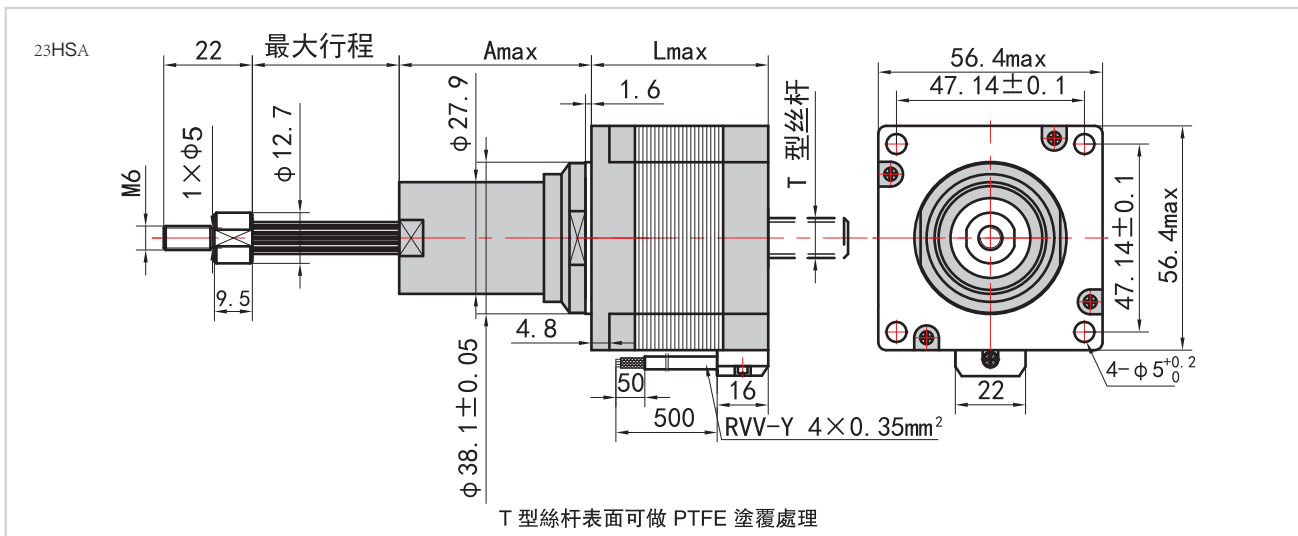


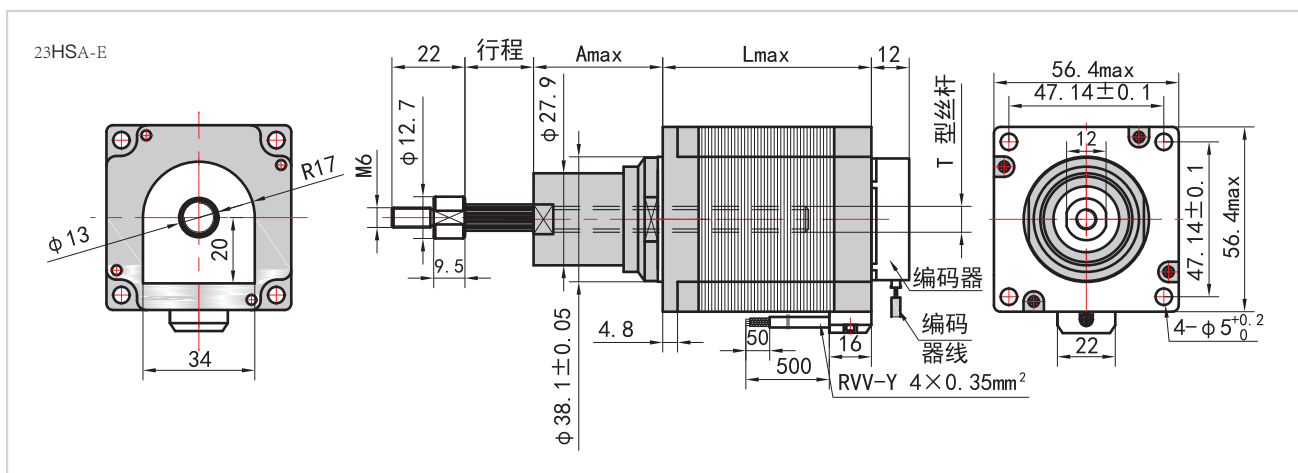
57系列固定轴式直线电机-23HSA

Fixed shaft Linear Actuator With T-Screw – NEMA 23

DIMENSIONS (IN MM)



DIMENSIONS (IN MM)

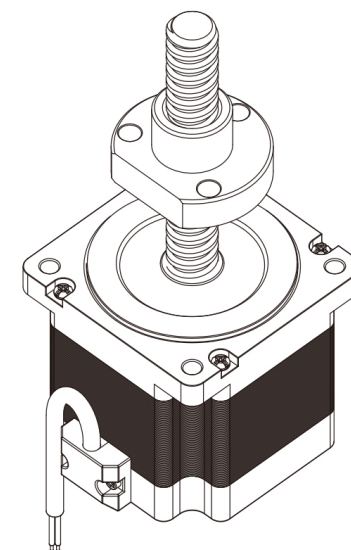


86系列外驱式直线电机-34HS

External Linear Actuator With T-Screw – NEMA 23

Nema34集成梯形丝杠电机，不带联轴器，电机与丝杠直接连接。提供多种电机高度版本。还提供用于位置反馈的内置编码器。

Nema34 integrated T screw motor, without coupling, the motor and screw are directly connected. Two motor height versions available. Screws of different lengths available. A built-in encoder for position feedback is also available.



Feature

- Integrated structure 一体化结构
- Multiple specifications available 提供多种规格
- Longer life and higher accuracy 更长的寿命和更高的精度
- Different lengths available 提供不同长度
- A built-in encoder available. 提供内置编码器。
- Motor Controllers / Drives available 电机控制器/驱动器可用
- 0.0002mm/step with our controlle 使用控制器时, 0.0002mm /步

VERSIONS

系列代码 Series models	34HS76	34HS98
相电流 Current per Winding A	4	6
静力矩 Holding Torque mN.m	3500	7000
相电阻 Resistance per Winding Ohm	0.5	0.4
相电感 Inductance per Winding mH	3.7	3.8
转子惯量 Rotor Inertia gcm ²	1400	1700
电机重量 Weight kg	1.4	2.7
电机高度 Length "L" mm	76	98
螺杆长度 Screw length*L1	Different lengths available	
反馈装置 Feedback	Encoder(Closed-loop version)	

订货代号 ORDER IDENTIFIER

34HS76T0502E2000-L1

T0502=Screw code
丝杠代码

L1 = Screw length
丝杠长度

E2000=Encoder resolution(Optional)编
码器分辨率 (可选)

可选螺杆 Screw optional

Screw	Diameter	Screw lead	Step(mm)
T16-3	16	3	0.015
T18-3	18	3	0.015
T14-4	14	4	0.02

可选配件 ACCESSORIES

ZK-ENC-500 Encoder Cable 0.5m

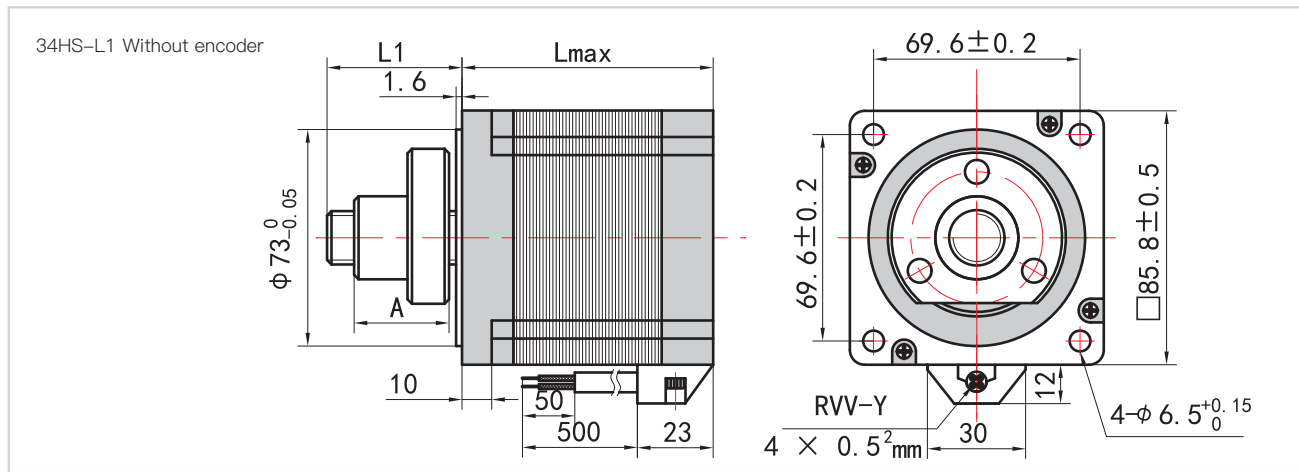
Encoder: 500-4000PCR

Motor Controllers / Drives

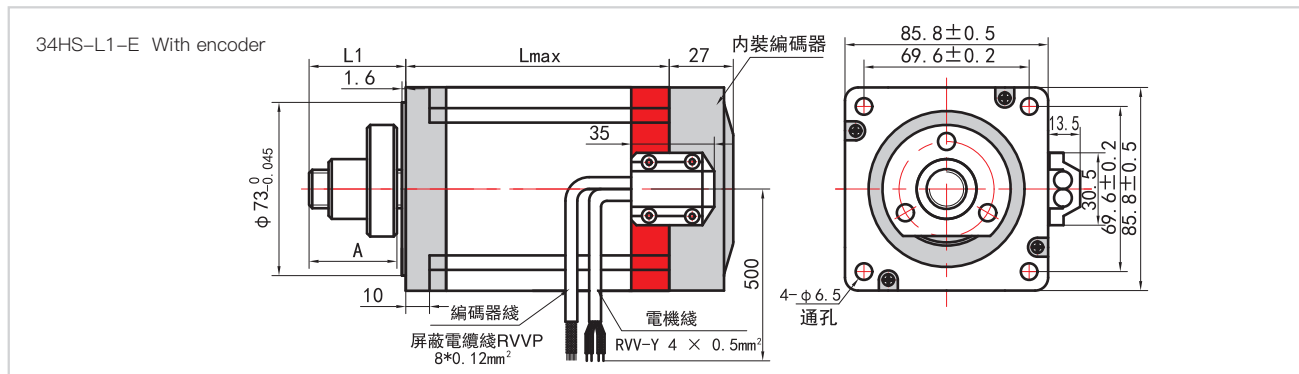
86系列外驱式直线电机-34HS

External Linear Actuator With T-Screw – NEMA 23

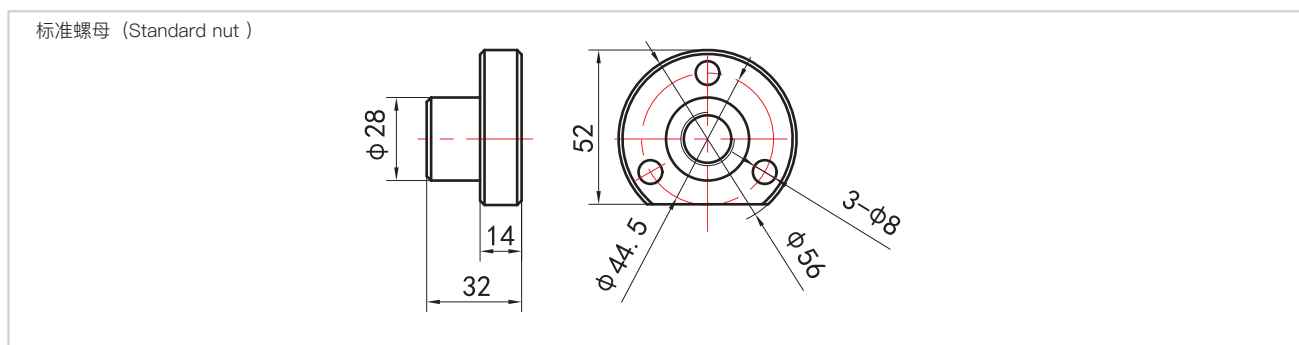
DIMENSIONS (IN MM)



DIMENSIONS (IN MM)



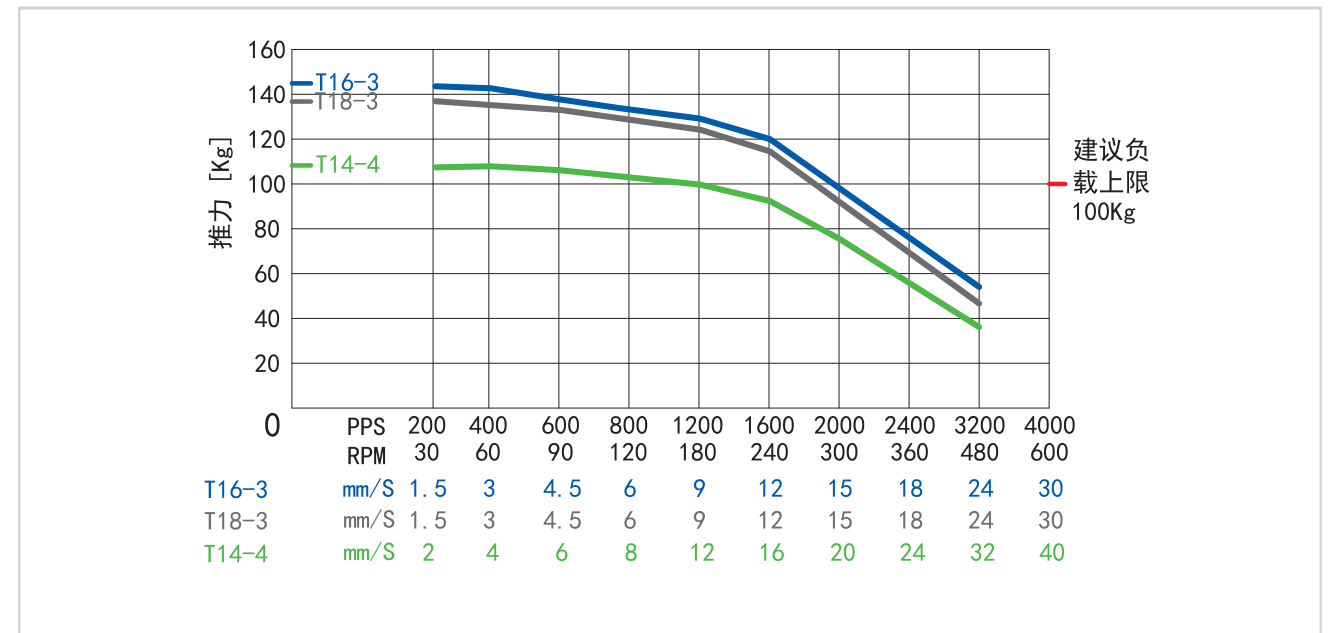
DIMENSIONS (IN MM)



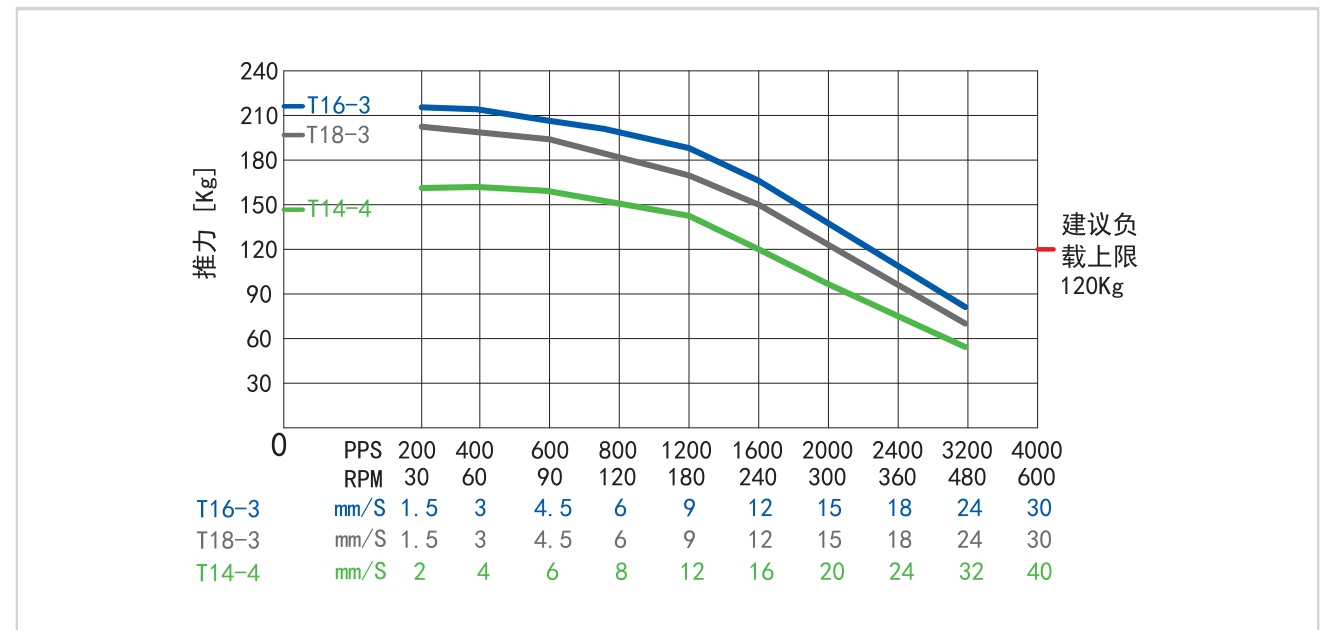
86系列外驱式直线电机-34HS

External Linear Actuator With T-Screw – NEMA 17

Force-Velocity Curve-34HS76



Force-Velocity Curve-34HS98



*The closed-loop version will have 10%~20% higher performance
 *Use other brands of drives, safety margin must be greater than the above value 30% to 50%