

贯通轴式滚珠直线步进电机-42MBTG

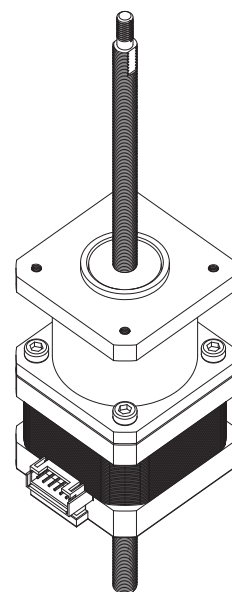
Through-shaft Linear Actuator With Ball Screw – NEMA 17

Nema17一体式滚珠丝杠和电机，不带联轴器。提供具有不同电机高度和不同螺钉长度的版本；还提供用于位置反馈的内置编码器。

Nema17 integrated ball screw and motor without coupling. Versions with different motor heights and different screw lengths are available; built-in encoders for position feedback are also available.

Feature

- Integrated structure 一体化结构
- Multiple specifications available 提供多种规格
- Longer life and higher accuracy 更长的寿命和更高的精度
- Different lengths available 提供不同长度
- A built-in encoder available. 提供内置编码器。
- Motor Controllers / Drives available 电机控制器/驱动器可用
- 0.0005mm/step with our controller 使用控制器时，0.0005mm /步



VERSIONS

系列代码 Series models	42H34MBTG	42H48MBTG
相电流 Current per Winding A	1.5	1.5
静力矩 Holding Torque mN.m	260	430
相电阻 Resistance per Winding Ohm	1.56	2.0
相电感 Inductance per Winding mH	2.4	3.85
转子惯量 Rotor Inertia gcm ²	38	82
电机重量 Weight kg	0.2	0.34
电机高度 Length "L" mm	34	48
螺杆长度 Screw length*L1	Different lengths available	Different lengths available
反馈装置 Feedback	Encoder(Closed-loop version)	Encoder(Closed-loop version)

订货代号 ORDER IDENTIFIER

42H34MBTG0802E2000-L1
 MBG0601=Ball Screw code
 丝杠代码

L1 = Screw length
 丝杠长度

E2000=Encoder resolution(Optional)
 编码器分辨率 (可选)

可选螺杆 Screw optional

螺杆代码 Screw	直径 (mm) Diameter	导程 (mm) Screw lead
G0802	8	2
G0805	8	5

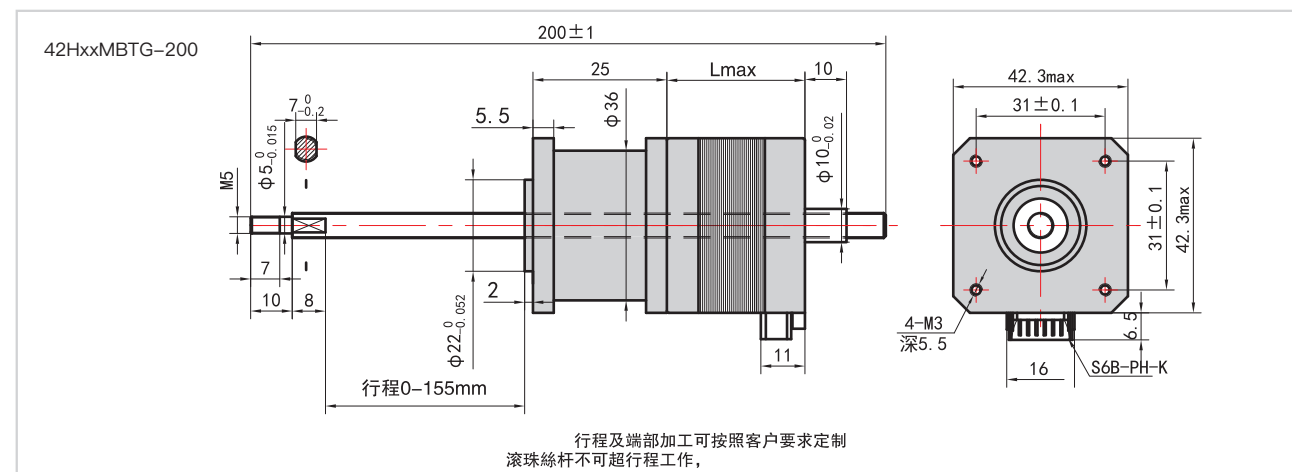
可选配件 ACCESSORIES

ZK-ENC-500 Encoder Cable 0.5m
 Motor Controllers / Drives

贯通轴式滚珠直线步进电机-42MBTG

Through-shaft Linear Actuator With Ball Screw – NEMA 17

DIMENSIONS (IN MM)



DIMENSIONS WITH ENCODER (IN MM)

