

贯通轴式滚珠直线步进电机-35MBTG

Through-shaft Linear Actuator With Ball Screw – NEMA 14

Nema14通轴线性执行器集成了滚珠丝杠和电机，使用寿命更长，精度更高。提供不同长度的螺丝。适用于医疗，光学和其他应用。

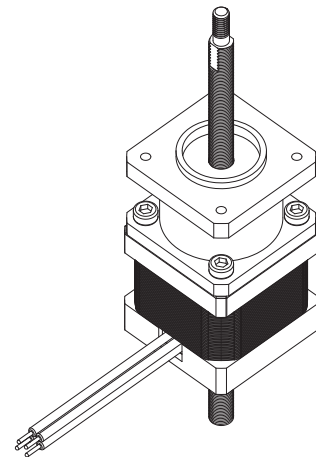
Nema14 through-shaft linear actuator integrated ball screw & motor. Longer life and better accuracy. Screws of different lengths available. Suitable for medical, optical and other applications.

Feature

- Through-shaft linear actuator 通轴线性执行器
- Longer life and higher accuracy 更长的寿命和更高的精度
- Different lengths available 提供不同长度
- Motor Controllers / Drives available 电机控制器/驱动器可用
- 0.001mm/step with our controllers. 使用我们的控制器时为0.001毫米/步。

VERSIONS

系列代码 Series models	35MBTG
相电流 Current per Winding A	1.0
静力矩 Holding Torque mN.m	160
相电阻 Resistance per Winding Ohm	2.7
相电感 Inductance per Winding mH	3
转子惯量 Rotor Inertia gcm ²	18
电机重量 Weight kg	0.18
电机高度 Length "L" mm	34
螺杆长度 Screw length*L1	Different lengths available
反馈装置 Feedback	Encoder(Closed-loop version)



订货代号 ORDER IDENTIFIER

35H34MBTG0601-L1
 MBG0601=Ball Screw code
 滚珠丝杠代码
 L1 = Screw length
 丝杠长度

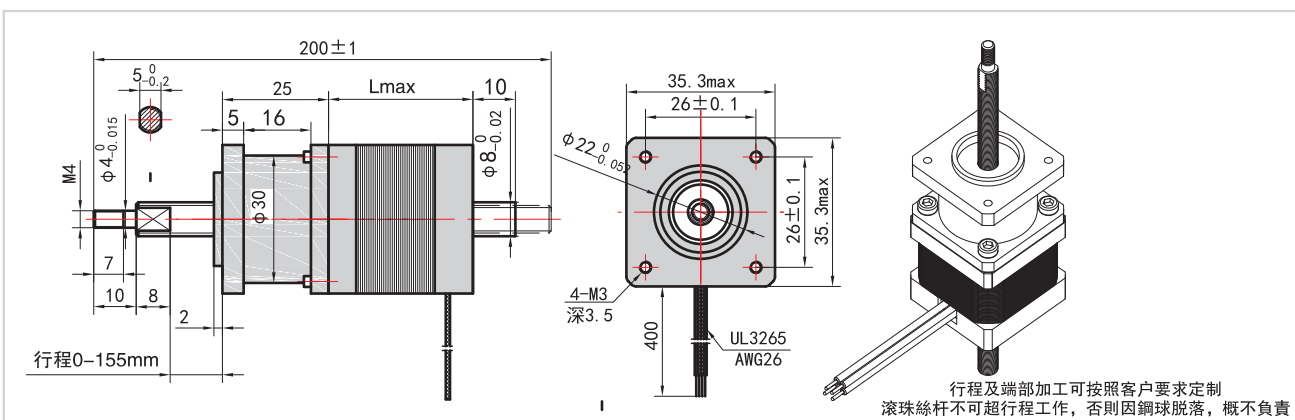
可选螺杆 Screw optional

螺杆代码 Screw	直径 (mm) Diameter	导程 (mm) Screw lead
G0601	6	1
G0602	6	2
G0606	6	6

可选配件 ACCESSORIES

Motor Controllers / Drives

DIMENSIONS (IN MM)



外部驱动式滚珠直线步进电机-42MBG

External Linear Actuator With Ball Screw – NEMA 17

Nema17一体式滚珠丝杠和电机，不带联轴器。提供具有不同电机高度和不同丝杠长度的版本；还提供用于位置反馈的内置编码器。

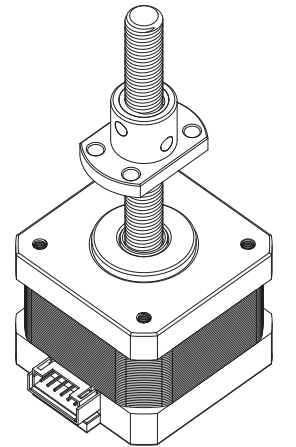
Nema17 integrated ball screw and motor without coupling. Versions with different motor heights and different screw lengths are available; built-in encoders for position feedback are also available.

Feature

- Multiple specifications available 提供多种规格
- Longer life and higher accuracy 更长的寿命和更高的精度
- Different lengths available 提供不同长度
- A built-in encoder available. 提供内置编码器。
- Motor Controllers / Drives available 电机控制器/驱动器可用
- 0.0005mm/step with our controller 使用控制器时，0.0005mm /步

VERSIONS

系列代码 Series models	42H34MBG	42H48MBG
相电流 Current per Winding A	1.5	1.5
静力矩 Holding Torque mN.m	260	430
相电阻 Resistance per Winding Ohm	1.56	2.0
相电感 Inductance per Winding mH	2.4	3.85
转子惯量 Rotor Inertia gcm ²	38	82
电机重量 Weight kg	0.12	0.18
电机高度 Length "L" mm	34	48
螺杆长度 Screw length*L1	Different lengths available	Different lengths available
反馈装置 Feedback	Encoder(Closed-loop version)	Encoder(Closed-loop version)



订货代号 ORDER IDENTIFIER

42H34MBG0802E2000-L1
 MBG0601=Ball Screw code
 丝杠代码
 L1 = Screw length
 丝杠长度
 E2000=Encoder resolution(Optional)
 编码器分辨率 (可选)

可选螺杆 Screw optional

螺杆代码 Screw	直径 (mm) Diameter	导程 (mm) Screw lead
G0802	8	2
G0805	8	5

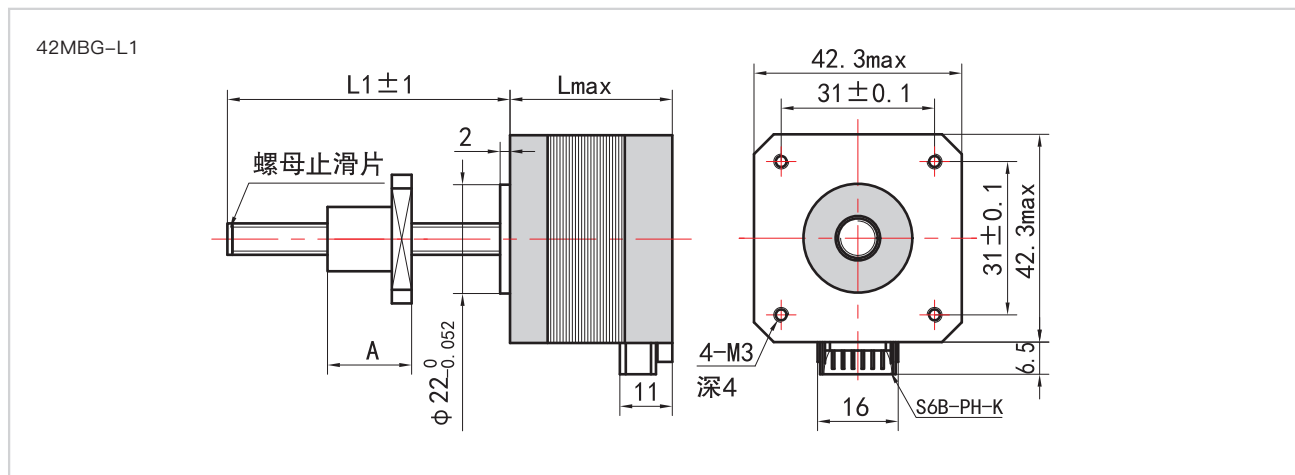
可选配件 ACCESSORIES

ZK-ENC-500 Encoder Cable 0.5m
 Motor Controllers / Drives

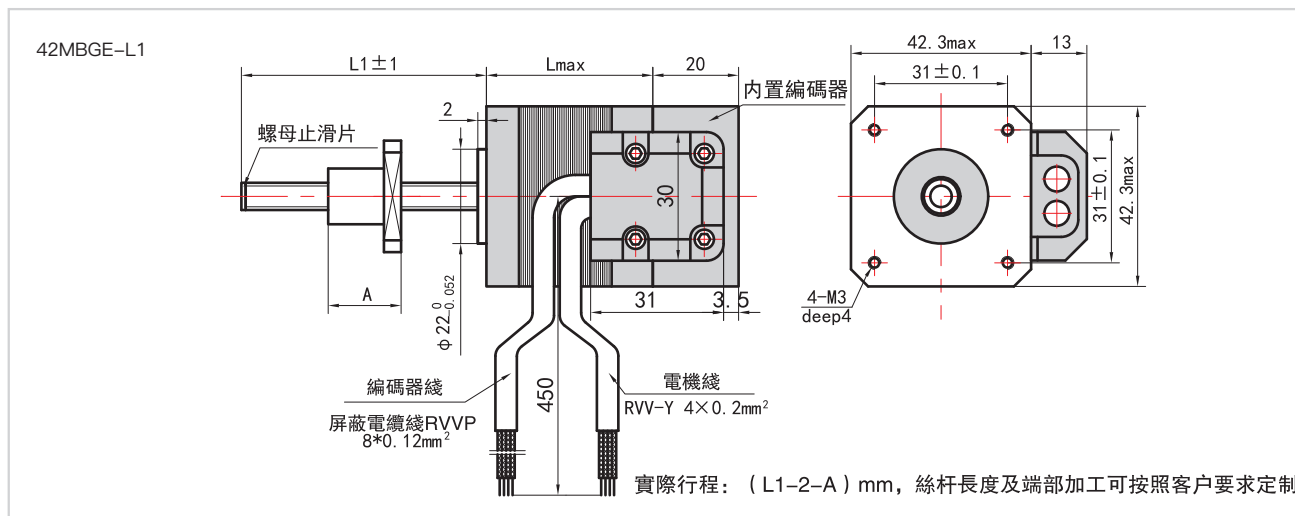
外部驱动式滚珠直线步进电机-42MBG

External Linear Actuator With Ball Screw – NEMA 17

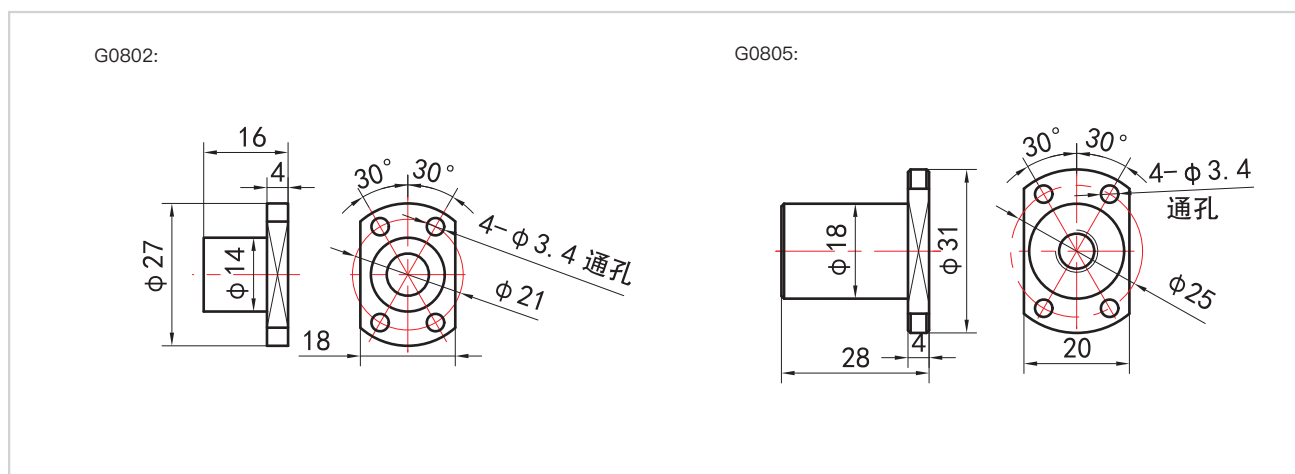
DIMENSIONS (IN MM)



DIMENSIONS WITH ENCODER (IN MM)



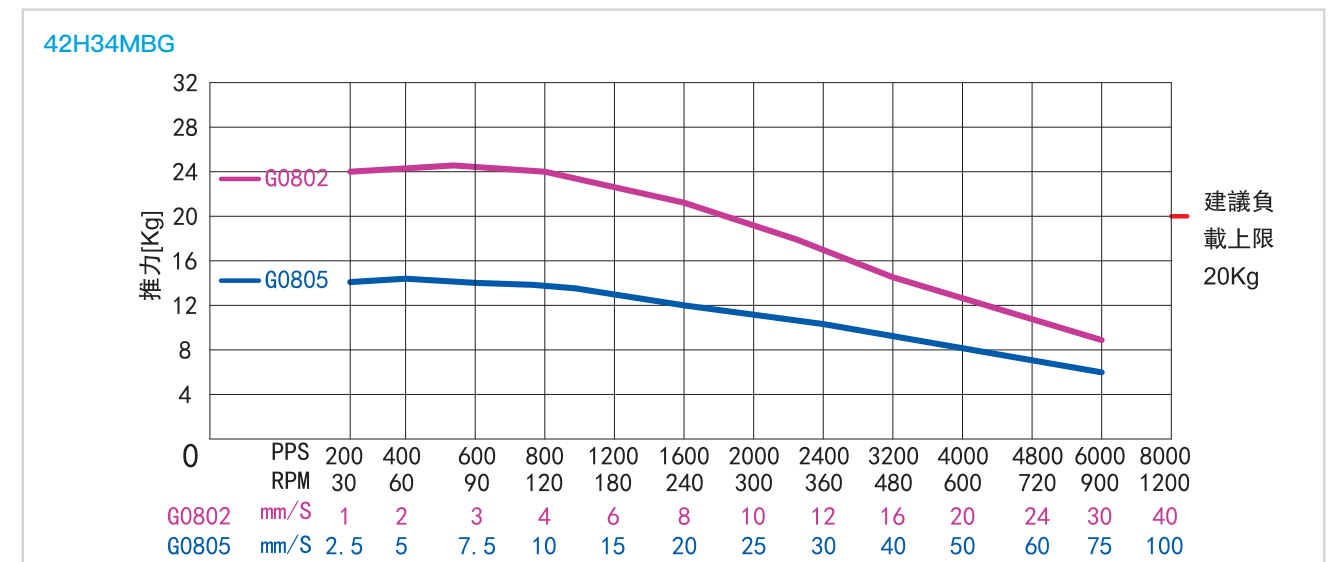
BALL SCREW DIMENSIONS (IN MM)



外部驱动式滚珠直线步进电机-42MBG

External Linear Actuator With Ball Screw – NEMA 17

TORQUE CURVE



TORQUE CURVE

