

贯通轴式滚珠直线步进电机-28MBTG

Through-shaft Linear Actuator With Ball Screw – NEMA 11

Nema11通轴线性执行器集成了滚珠丝杠和两相步进电机。比T型丝杠寿命更好

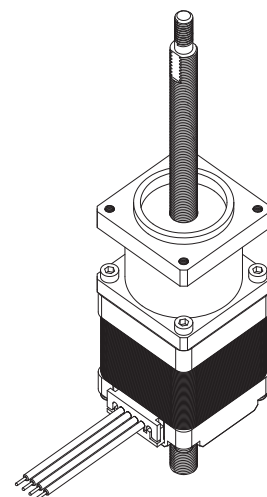
Nema11 through-axis linear actuators integrate ball screws and two-phase stepper motors. Better life than T-screws

◎ Feature

- Through-shaft linear actuator 贯通轴线性执行器
- Longer life and higher accuracy 更长的寿命和更高的精度
- Different lengths available 提供不同长度
- Motor Controllers / Drives available 电机控制器/驱动器可用
- 0.001mm/step with our controller 与我们的控制器一起0.001mm /步

◎ VERSIONS

系列代码 Series models	28MTBG
相电流 Current per Winding A	1.0
静力矩 Holding Torque mN.m	60
相电阻 Resistance per Winding Ohm	2.2
相电感 Inductance per Winding mH	1.2
转子惯量 Rotor Inertia gcm ²	9
电机重量 Weight kg	0.12
电机高度 Length "L" mm	34
螺杆长度 Screw length*L1	Different lengths available
反馈装置 Feedback	Encoder(Closed-loop version)



订货代号 ORDER IDENTIFIER

28H34MBTG0601-L1
 MBG0601=Ball Screw code
 滚珠丝杠代码
 L1 = Screw length
 丝杠长度

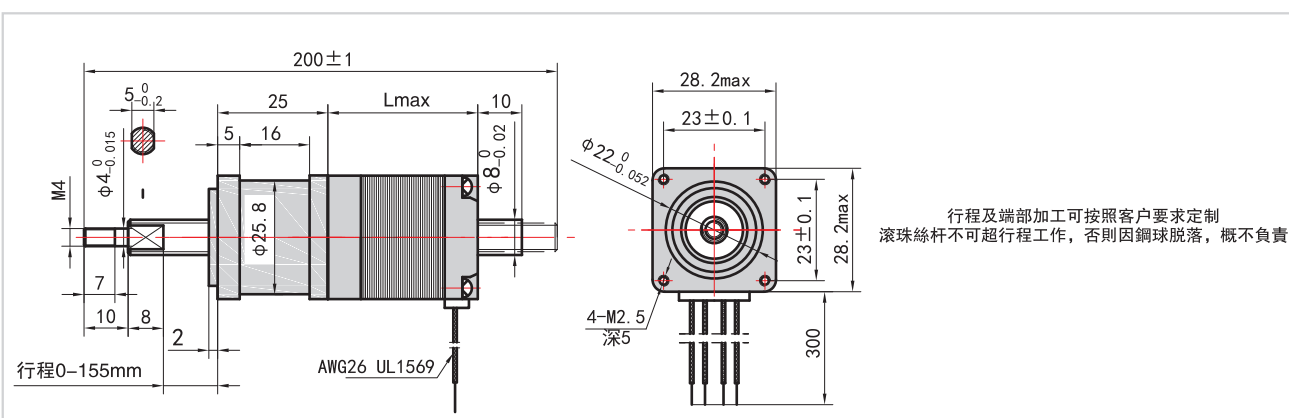
可选螺杆 Screw optional

螺杆代码 Screw	直径 (mm) Diameter	导程 (mm) Screw lead
G0601	6	1
G0602	6	2
G0606	6	6

可选配件 ACCESSORIES

Motor Controllers / Drives

DIMENSIONS (IN MM)



外部驱动式滚珠直线步进电机-35MBG

External Linear Actuator With Ball Screw – NEMA 14

Nema14外部线性执行器集成了滚珠丝杠和电机，无联轴器，使用寿命更长，精度更高。提供不同长度的螺钉。还提供用于位置反馈的内置编码器。适用于医疗，光学和其他应用

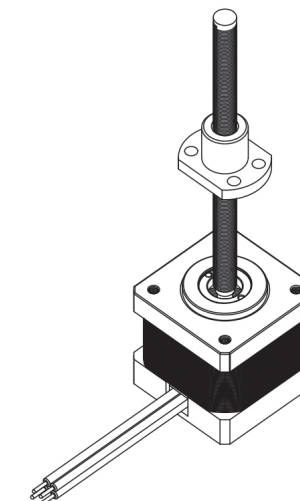
Nema14 external linear actuator integrated ball screw & motor, without coupling. Provide longer life and better accuracy. Screws of different lengths available. A built-in encoder for position feedback is also available. Suitable for medical, optical and other applications

◎ Feature

- Integrated ball screw & motor 集成滚珠丝杠和电机
- Longer life and higher accuracy 更长的寿命和更高的精度
- Different lengths available 提供不同长度
- A built-in encoder available. 提供内置编码器。
- Motor Controllers / Drives available 电机控制器/驱动器可用
- 0.0002mm/step with our controller 使用控制器时, 0.0002mm /步

◎ VERSIONS

系列代码 Series models	35H34MBG
相电流 Current per Winding A	1.0
静力矩 Holding Torque mN.m	160
相电阻 Resistance per Winding Ohm	2.7
相电感 Inductance per Winding mH	3
转子惯量 Rotor Inertia gcm ²	18
电机重量 Weight kg	0.18
电机高度 Length "L" mm	34
螺杆长度 Screw length*L1	Different lengths available
反馈装置 Feedback	Encoder(Closed-loop version)



订货代号 ORDER IDENTIFIER

35H34MBG0601E2000-L1
 MBG0601=Ball Screw code
 滚珠丝杠代码
 L1 = Screw length
 丝杠长度
 E2000=Encoder resolution(Optional)
 编码器分辨率 (可选)

可选螺杆 Screw optional

螺杆代码 Screw	直径 (mm) Diameter	导程 (mm) Screw lead
G0601	6	1
G0602	6	2
G0606	6	6
G0802	8	2
G0805	8	5

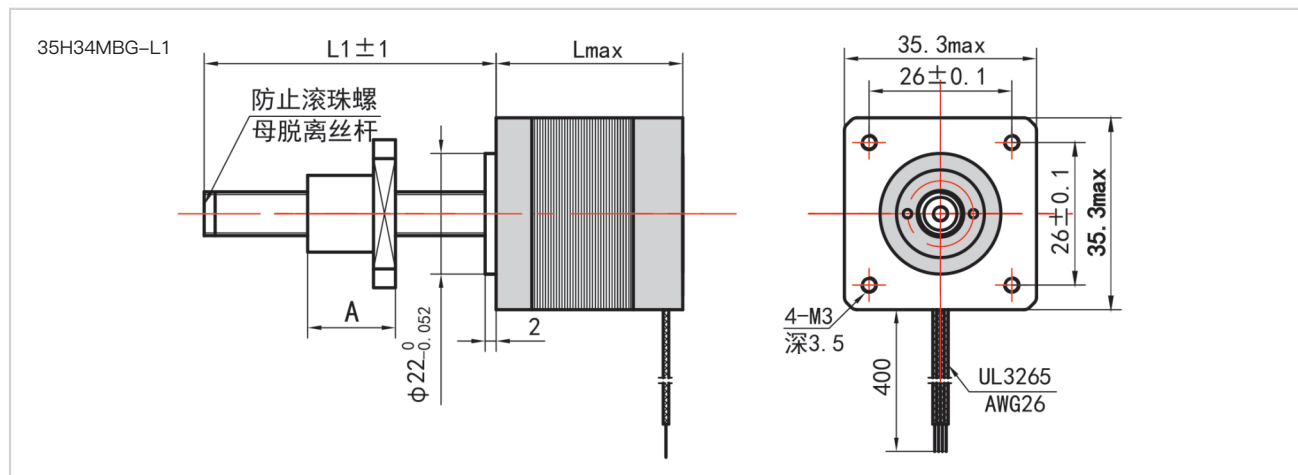
可选配件 ACCESSORIES

ZK-ENC-500 Encoder Cable 0.5m
 *Length can be customized
 Motor Controllers / Drives

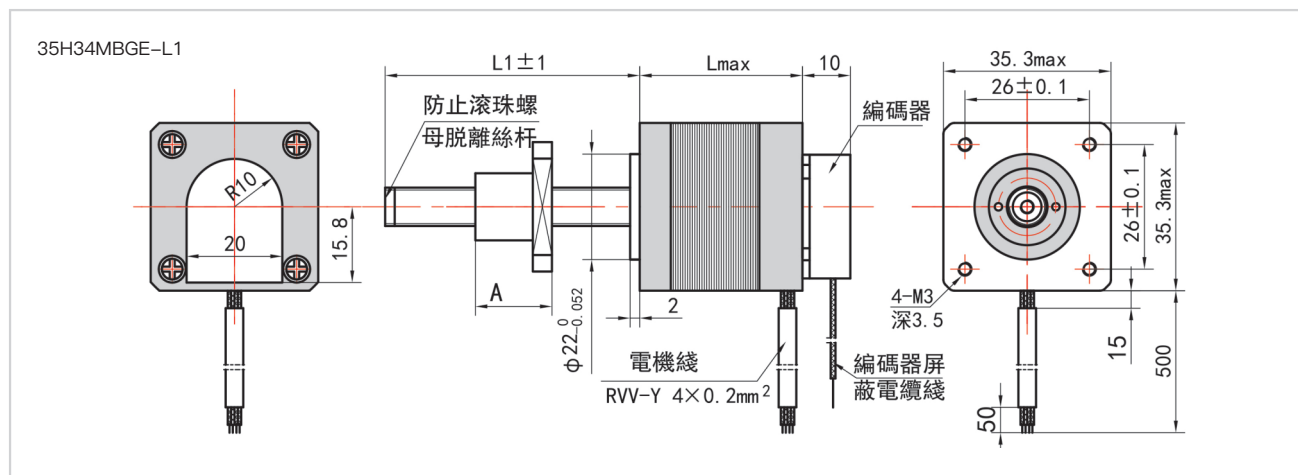
外部驱动式滚珠直线步进电机-35MBG

External Linear Actuator With Ball Screw – NEMA 14

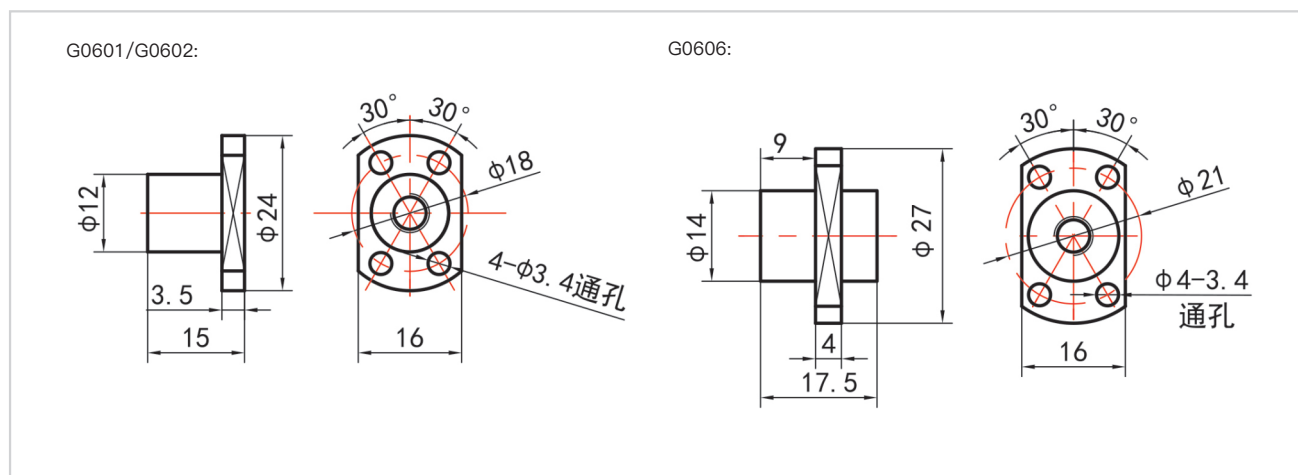
DIMENSIONS (IN MM)



DIMENSIONS WITH ENCODER (IN MM)



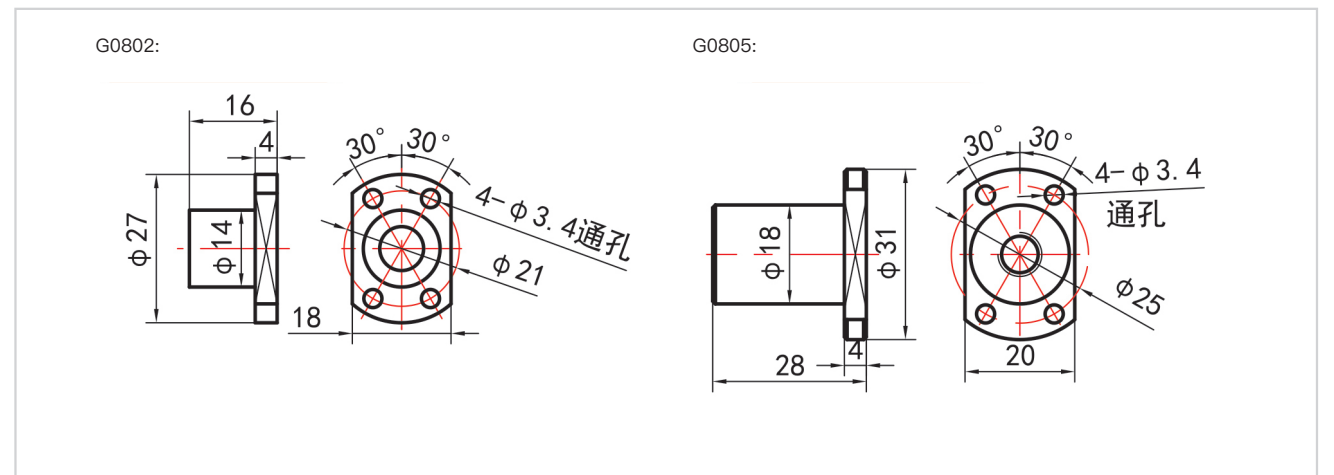
BALL SCREW DIMENSIONS (IN MM)



外部驱动式滚珠直线步进电机-35MBG

External Linear Actuator With Ball Screw – NEMA 14

BALL SCREW DIMENSIONS (IN MM)



TORQUE CURVE

