

35系列贯通式T型丝杆电机-14HSL

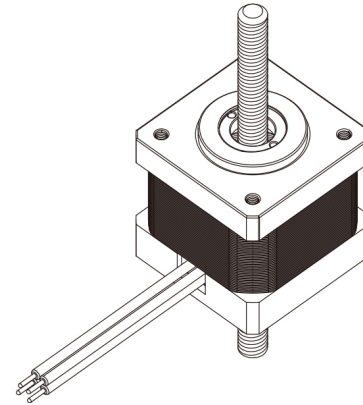
Through-shaft Linear Actuator With T-Screw - NEMA 14

NEMA14贯通轴式直线电机是贯通式的线性执行器，结构紧凑，传动效率和定位精度高。可选装高分辨率的贯通编码器配合高精度使用

Nema14 through-axis linear actuators integrate T screws and two-phase stepper motors. Additional encoder can also provide

Feature

- Through-shaft linear actuator 贯通轴线性执行器
- Longer life and higher accuracy 更长的寿命和更高的精度
- Different lengths available 提供不同长度
- Motor Controllers / Drives available 电机控制器/驱动器可用
- 0.001mm/step with our controller 与我们的控制器一起0.001mm/步



VERSIONS

系列代码 Series models	14HS34L
相电流 Current per Winding A	1.0
静力矩 Holding Torque mN.m	160
相电阻 Resistance per Winding Ohm	2.7
相电感 Inductance per Winding mH	3.0
转子惯量 Rotor Inertia gcm ²	18
电机重量 Weight kg	0.18
电机高度 Length "L" mm	34
螺杆长度 Screw length*L1	Different lengths available
反馈装置 Feedback	Encoder(Closed-loop version)

订货代号 ORDER IDENTIFIER

14HS34LT63502-E2000-L1
 T63502=T-Screw code
 丝杠代码
 L1 = Screw length
 丝杠长度
 E2000=Encoder 2000/Resolution
 E2000=编码器 2000刻度

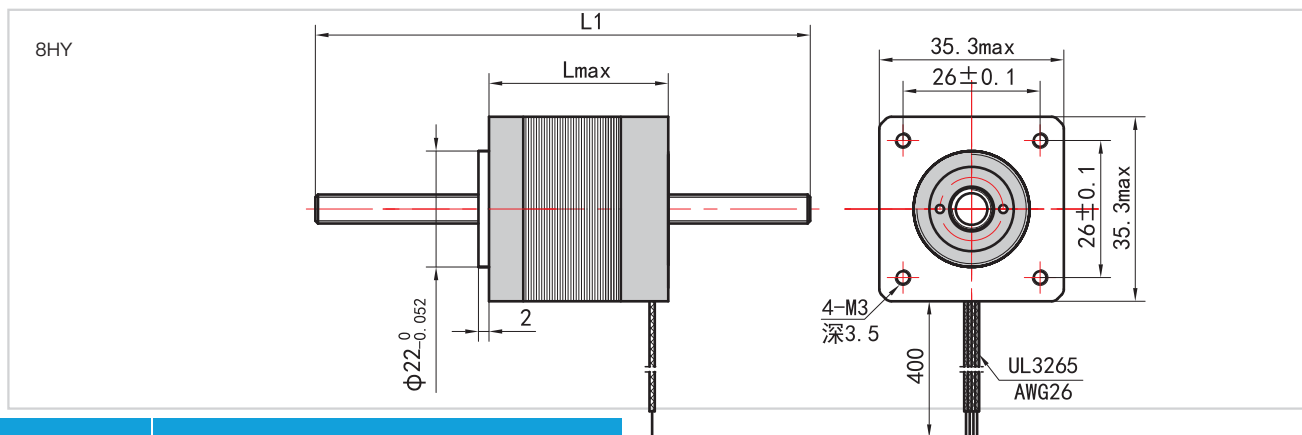
可选螺杆 Screw optional

Screw	Diameter	Screw lead	Step(mm)
T635-1.58	6.35	1.5875	0.007935
T635-2	6.35	2	0.01
T635-3.17	6.35	3.175	0.015875
T635-6.35	6.35	6.35	0.03175
T556-9.75	5.56	9.7536	0.048768
T8-20	8	20	0.1

可选配件 ACCESSORIES

Motor Controllers / Drives
 电机驱动与控制器

DIMENSIONS (IN MM)



35系列固定轴式直线电机-14HSA

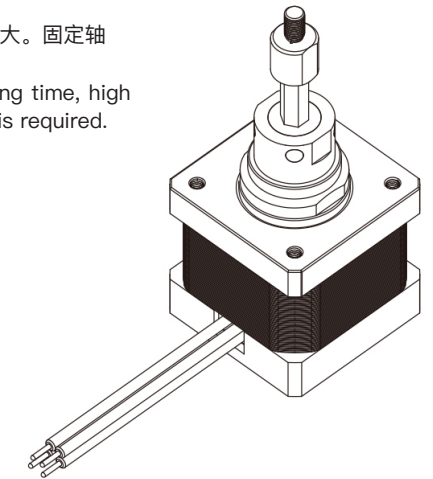
Fixed shaft Linear Actuator With T-Screw - NEMA 14

灵活的紧凑型直线步进电机，尺寸为 NEMA 8 (20 mm)，定位时间短、推力和拉力大。固定轴式，直线输出，无需额外结构设计。

Flexible compact linear stepper motor, size NEMA 8 (20 mm), short positioning time, high thrust and pull. Fixed shaft type, linear output, no additional structural design is required.

Feature

- External Linear linear actuator 固定轴式线性执行器
- 20mm small size 20系列法兰
- Encoder optional(Unlisted) 可配套编码器 (未来)
- Longer life and higher accuracy 更长的寿命和更高的精度
- Different lengths available 提供不同长度
- Motor Controllers / Drives available 电机控制器和驱动器可用



VERSIONS

系列代码 Series models	14HS34L
相电流 Current per Winding A	1.0
静力矩 Holding Torque mN.m	160
相电阻 Resistance per Winding Ohm	2.7
相电感 Inductance per Winding mH	3.0
转子惯量 Rotor Inertia gcm ²	18
电机重量 Weight kg	0.18
电机高度 Length "L" mm	34
螺杆长度 Screw length*L1	Different lengths available
反馈装置 Feedback	Encoder(Closed-loop version)

订货代号 ORDER IDENTIFIER

14HS34T63502A127-E2000-L1
 T63502=T-Screw code
 丝杠代码
 L1 = Screw length
 丝杠长度
 E2000=Encoder 2000/Resolution
 E2000=编码器 2000刻度

可选螺杆 Screw optional

Screw	Diameter	Screw lead	Step(mm)
T635-1.58	6.35	1.5875	0.007935
T635-2	6.35	2	0.01
T635-3.17	6.35	3.175	0.015875
T635-6.35	6.35	6.35	0.03175
T556-9.75	5.56	9.7536	0.048768
T8-20	8	20	0.1

可选配件 ACCESSORIES

Motor Controllers / Drives
 电机驱动与控制器

DIMENSIONS (IN MM)

