

28系列Tr丝杆外驱式直线电机-11HY

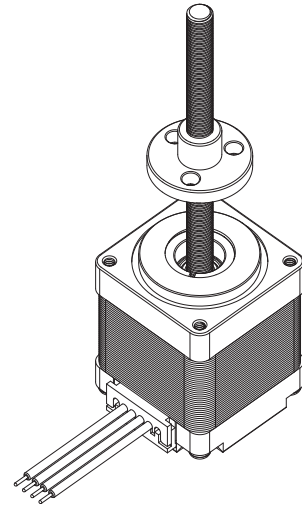
External Linear Actuator With T-Screw – NEMA 11

Nema11集成梯形丝杠电机，不带联轴器，电机与丝杠直接连接。提供两种电机高度版本。还提供用于位置反馈的内置编码器。

Nema11 integrated T screw motor, without coupling, the motor and screw are directly connected. Two motor height versions available. Screws of different lengths available. A built-in encoder for position feedback is also available.

Feature

- Integrated structure 一体化结构
- Multiple specifications available 提供多种规格
- Longer life and higher accuracy 更长的寿命和更高的精度
- Different lengths available 提供不同长度
- A built-in encoder available. 提供内置编码器。
- Motor Controllers / Drives available 电机控制器/驱动器可用
- 0.0002mm/step with our controlle 使用控制器时, 0.0002mm /步



VERSIONS

系列代码 Series models	11HY34	11HY51
相电流 Current per Winding A	1.0	1.0
静力矩 Holding Torque mN.m	60	120
相电阻 Resistance per Winding Ohm	2.2	5.2
相电感 Inductance per Winding mH	1.2	4.3
转子惯量 Rotor Inertia gcm ²	9	18
电机重量 Weight kg	0.12	0.18
电机高度 Length "L" mm	34	51
螺杆长度 Screw length*L1	Different lengths available	Different lengths available
反馈装置 Feedback	Encoder(Closed-loop version)	Encoder(Closed-loop version)

订货代号 ORDER IDENTIFIER

11HY34T0502E2000-L1

T0502=Screw code
丝杠代码

L1 = Screw length
丝杠长度

E2000=Encoder resolution(Optional)
编码器分辨率 (可选)

可选螺杆 Screw optional

Screw	Diameter	Screw lead	Step(mm)
T476-063	4.76	0.0635	0.003175
T476-1.27	4.76	1.27	0.00635
T5-2	5	2	0.01
T5-4	5	4	0.02
T5-5.08	5	5.08	0.0254
T5-8	5	8	0.04

可选配件 ACCESSORIES

ZK-ENC-500 Encoder Cable 0.5m

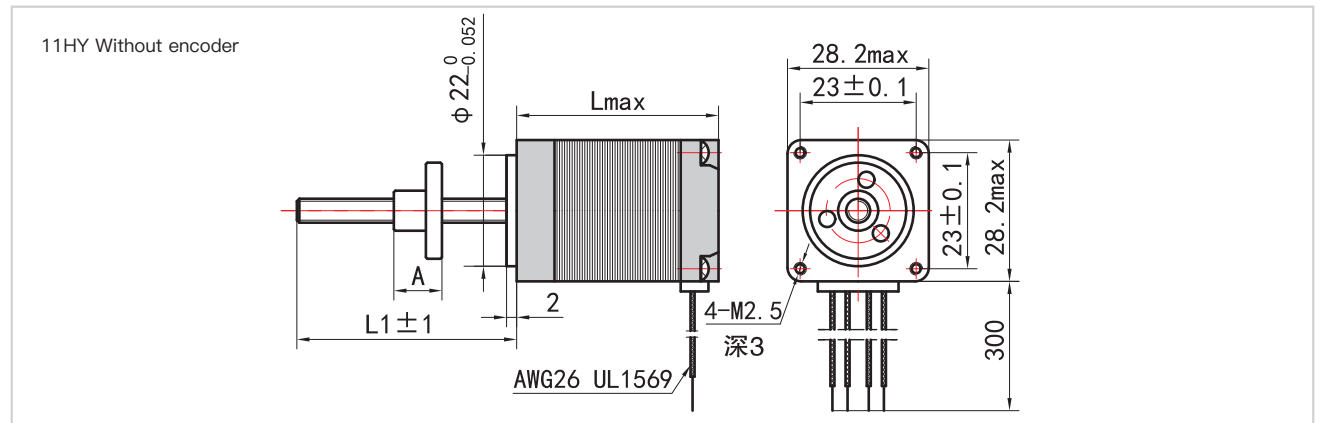
Encoder: 500-4000PCR

Motor Controllers / Drives

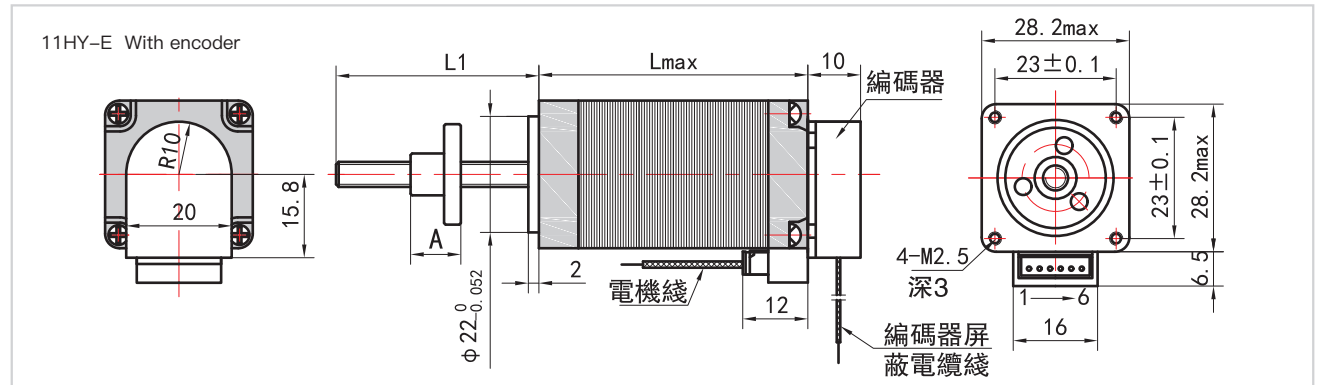
28系列Tr丝杆外驱式直线电机-11HY

External Linear Actuator With T-Screw – NEMA 11

DIMENSIONS (IN MM)

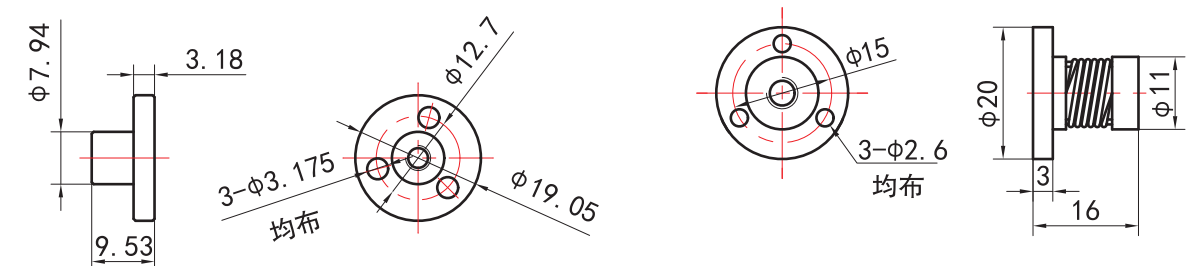


DIMENSIONS (IN MM)



DIMENSIONS (IN MM)

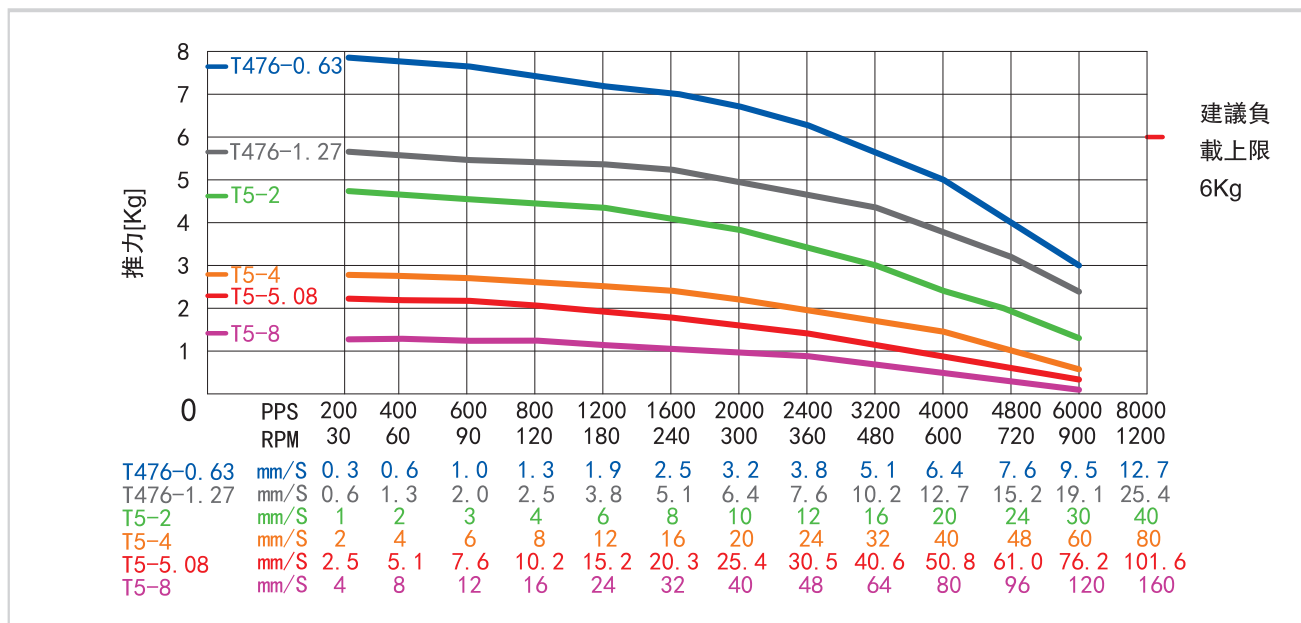
标准螺母 (左) / 消间隙螺母 (右) Standard nut (left)/anti-backlash nut (right)



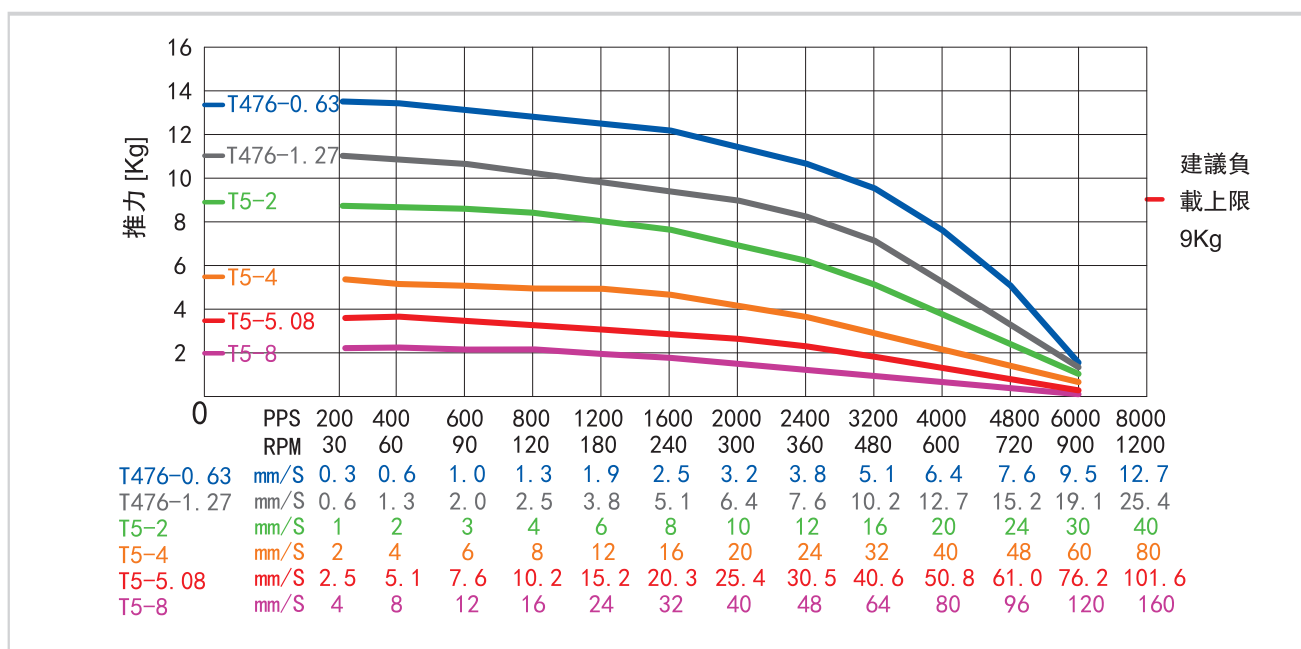
28系列T形外驱式电机-11HY

External Linear Actuator With T-Screw – NEMA 11

Force-Velocity Curve-11HY30



Force-Velocity Curve-11HY40

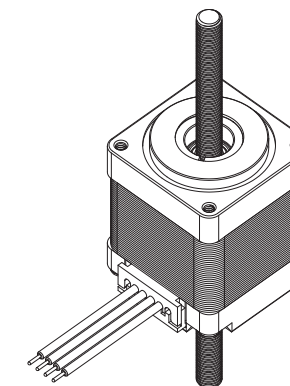


*The closed-loop version will have 10%~20% higher performance
 *Use other brands of drives, safety margin must be greater than the above value 30% to 50%

28系列贯通式直线电机-11HYL

Through-shaft Linear Actuator With T- Screw – NEMA11

NEMA11(28mm法兰)贯通轴式直线电机是贯通式的线性执行器，结构紧凑，传动效率和定位精度高。可选装高分辨率的贯通编码器配合高精度使用
 Nema11 through-axis linear actuators integrate T screws and two-phase stepper motors. Additional encoder can also provide



Feature

- Integrated structure 一体化结构
- Multiple specifications available 提供多种规格
- Longer life and higher accuracy 更长的寿命和更高的精度
- Different lengths available 提供不同长度
- A built-in encoder available. 提供内置编码器。
- Motor Controllers / Drives available 电机控制器/驱动器可用
- 0.0002mm/step with our controlle 使用控制器时, 0.0002mm /步

VERSIONS

系列代码 Series models	11HY34L	11HY51L
相电流 Current per Winding A	1.0	1.0
静力矩 Holding Torque mN.m	60	95
相电阻 Resistance per Winding Ohm	2.2	5.2
相电感 Inductance per Winding mH	1.2	4.3
转子惯量 Rotor Inertia gcm ²	9	18
电机重量 Weight kg	0.12	0.18
电机高度 Length "L" mm	34	51
螺杆长度 Screw length*L1	Different lengths available	Different lengths available
反馈装置 Feedback	Encoder(Closed-loop version)	Encoder(Closed-loop version)

订货代号 ORDER IDENTIFIER

11HY34LT0502E2000-L1
 T0502=Screw code
 丝杠代码

 L1 = Screw length
 丝杠长度

 E2000=Encoder resolution(Optional)
 编码器分辨率 (可选)

可选螺杆 Screw optional

Screw	Diameter	Screw lead	Step(mm)
T476-063	4.76	0.0635	0.003175
T476-1.27	4.76	1.27	0.00635
T5-2	5	2	0.01
T5-4	5	4	0.02
T5-5.08	5	5.08	0.0254
T5-8	5	8	0.04

可选配件 ACCESSORIES

ZK-ENC-500 Encoder Cable 0.5m

Encoder: 500-4000PCR

Motor Controllers / Drives