

## 20系列贯通式T型丝杆电机-8HYL

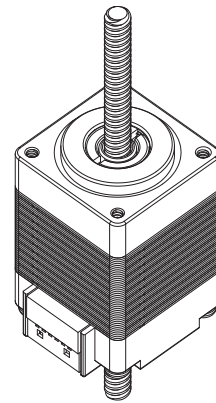
Through-shaft Linear Actuator With T-Screw - NEMA 8

NEMA8贯通轴式直线电机是贯通式的线性执行器，结构紧凑，传动效率和定位精度高。可选装高分辨率的贯通编码器配合高定位使用

Nema11 through-axis linear actuators integrate T screws and two-phase stepper motors. Additional encoder can also provide

### ◎ Feature

- Through-shaft linear actuator 贯通轴线性执行器
- Longer life and higher accuracy 更长的寿命和更高的精度
- Different lengths available 提供不同长度
- Motor Controllers / Drives available 电机控制器/驱动器可用
- 0.001mm/step with our controller 与我们的控制器一起0.001mm /步



### ◎ VERSIONS

系列代码 Series models	8HY30L	8HY40L
相电流 Current per Winding A	0.6	0.6
静力矩 Holding Torque mN.m	18	32
相电阻 Resistance per Winding Ohm	6.5	6
相电感 Inductance per Winding mH	1.7	2
转子惯量 Rotor Inertia gcm <sup>2</sup>	2	3
电机重量 Weight kg	0.06	0.1
电机高度 Length "L" mm	30	40
螺杆长度 Screw length*L1	Different lengths available	Different lengths available
反馈装置 Feedback	Encoder(Closed-loop version)	Encoder(Closed-loop version)

### 订货代号 ORDER IDENTIFIER

**8HY20LT35061-L1E2000**  
 T35061=T-Screw code  
 丝杠代码  
 L1 = Screw length  
 丝杠长度  
 E2000=Encoder 2000/Resolution  
 E2000=编码器 2000刻度

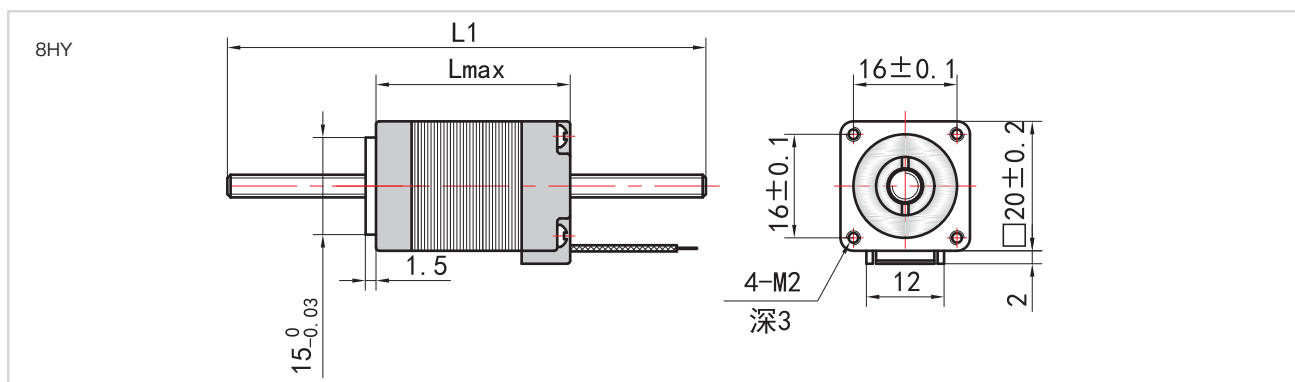
### 可选螺杆 Screw optional

Screw	Diameter	Screw (mm)	Step(mm)
T35-0.61	3.5	0.61	0.003048
T35-1	3.5	1	0.005
T35-1.22	3.5	1.2192	0.006096
T35-2.44	3.5	2.4384	0.012192
T35-4	3.5	4	0.02
T5-8	5	8	0.04

### 可选配件 ACCESSORIES

Motor Controllers / Drives  
 电机驱动与控制器

### DIMENSIONS (IN MM)



## 20系列固定轴式直线电机-8HYA

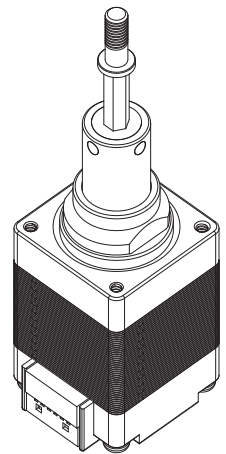
Fixed shaft Linear Actuator With T-Screw - NEMA 8

灵活的紧凑型直线步进电机，尺寸为 NEMA 8 (20 mm)，定位时间短、推力和拉力大。固定轴式，直线输出，无需额外结构设计。

Flexible compact linear stepper motor, size NEMA 8 (20 mm), short positioning time, high thrust and pull. Fixed shaft type, linear output, no additional structural design is required.

### ◎ Feature

- External Linear linear actuator 固定轴式线性执行器
- 20mm small size 20系列法兰
- Encoder optional(Unlisted) 可配套编码器 (未来)
- Longer life and higher accuracy 更长的寿命和更高的精度
- Different lengths available 提供不同长度
- Motor Controllers / Drives available 电机控制器和驱动器可用



### ◎ VERSIONS

系列代码 Series models	8HY30A	8HY40A
相电流 Current per Winding A	0.6	0.6
静力矩 Holding Torque mN.m	18	32
相电阻 Resistance per Winding Ohm	6.5	6
相电感 Inductance per Winding mH	1.7	2
转子惯量 Rotor Inertia gcm <sup>2</sup>	2	3
电机重量 Weight kg	0.06	0.1
电机高度 Length "L" mm	30	40
行程长度 Stroke length*A	Different lengths available	Different lengths available
反馈装置 Feedback	Encoder(Closed-loop version)	Encoder(Closed-loop version)

### 订货代号 ORDER IDENTIFIER

**8HY20T35061A9-E2000**  
 T35061=T-Screw code  
 丝杠代码  
 A = Stroke  
 直线行程  
 E2000=Encoder 2000/Resolution  
 E2000=编码器 2000刻度

### 可选螺杆 Screw optional

Screw	Diameter	Screw (mm)	Step(mm)
T35-0.61	3.5	0.61	0.003048
T35-1	3.5	1	0.005
T35-1.22	3.5	1.2192	0.006096
T35-2.44	3.5	2.4384	0.012192
T35-4	3.5	4	0.02
T5-8	5	8	0.04

### 可选配件 ACCESSORIES

Motor Controllers / Drives  
 电机驱动与控制器

### DIMENSIONS (IN MM)

