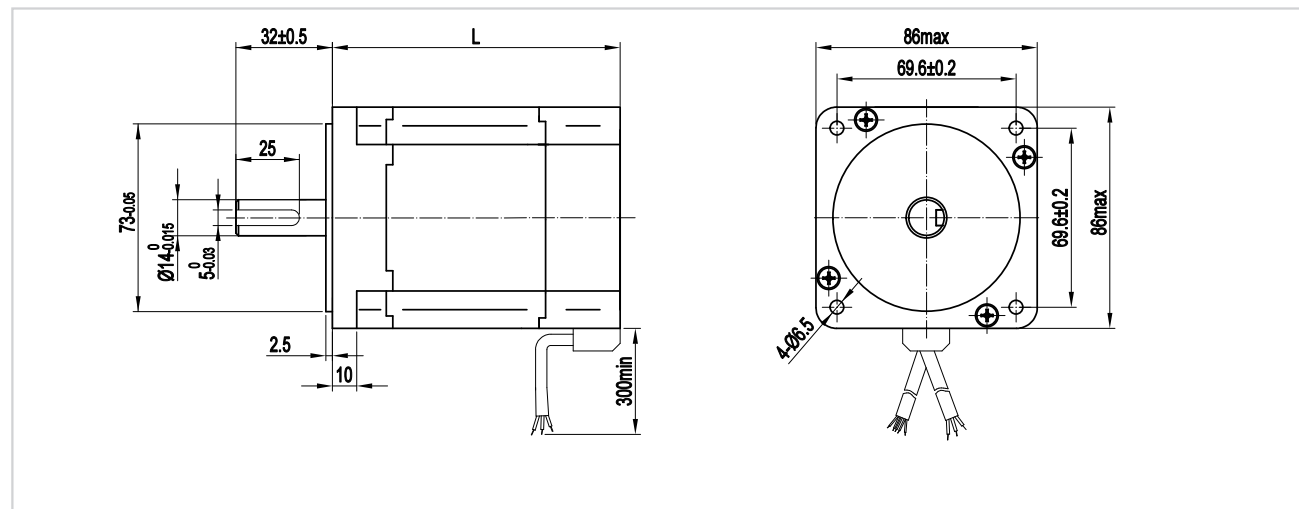


86mm系列力矩增强直流无刷电机

Brushless DC Motors – Nema34

DIMENSIONS (IN MM)



110mm系列直流无刷电机

Brushless DC Motors – Nema43

内转子电机是一款三相直流无刷电机，带永久磁铁的转子在绕有线圈的固定定子里面围绕一个轴旋转。其优点是转子的转动惯量更小且散热性能更佳。这种电机特别适用于高速应用场合。

The inner rotor motor is a three-phase brushless DC motor. The rotor with permanent magnet rotates around a shaft in a fixed stator wound with coils. The utility model has the advantages of smaller moment of inertia of the rotor and better heat dissipation performance. This motor is especially suitable for high-speed applications.



Feature

- 110mm small size 100mm尺寸
- Encoder optional 可配套编码器
- Longer life and higher accuracy 更长的寿命和更高的精度
- Different lengths available 提供不同长度
- Motor Controllers / Drives available 电机控制器/驱动器可用

VERSIONS

型号 Model	YL110BL135081000	YL110BL135081000	YL110BL195082000	YL110BL230083000
极数 Number of Poles	8	8	8	8
相数 Number of Phases	3	3	3	3
额定电压 Nominal voltage VDC	48	310	310	310
额定转速 Rated speed RPM	3000	3000	3000	3000
额定扭矩 Rated Torque N-m	3.2	3.2	6.4	9.6
额定电流 Rated Current Amps	28	4.1	8.2	13
输出功率 Output Power Watts	1000	1000	2000	3000
峰值扭矩 Peak Torque N-m	10	10	20	30
峰值电流 Peak Current Amps	84	13	25	39
力矩常数 Torque constant N-m/A	0.12	0.79	0.79	0.74
反电势常数 Back EMF V/k RPM	8.4	55	55	55
转动惯量 Rotor inertia kg·cm ²	3	3	6	6
电机长度 Body Length (L) mm	135	135	195	230
重量 Mass kg	4.5	4.5	7	9.5

订货代号 ORDER IDENTIFIER

YL110BL135081000

YL110BL=110mm bldc motor 110mm直流无刷电机
135=Body Length(mm) 电机高度 (mm)

- A=单出轴 Single output shaft
- B=双出轴 Front and rear output shaft
- E=集成编码器 Within encoder

可选版本 optional

- A=单出轴 Single output shaft
- B=双出轴 Front and rear output shaft
- E=带编码器版本 Within encoder
丰富的编码器分辨率可选
Rich encoder resolution options

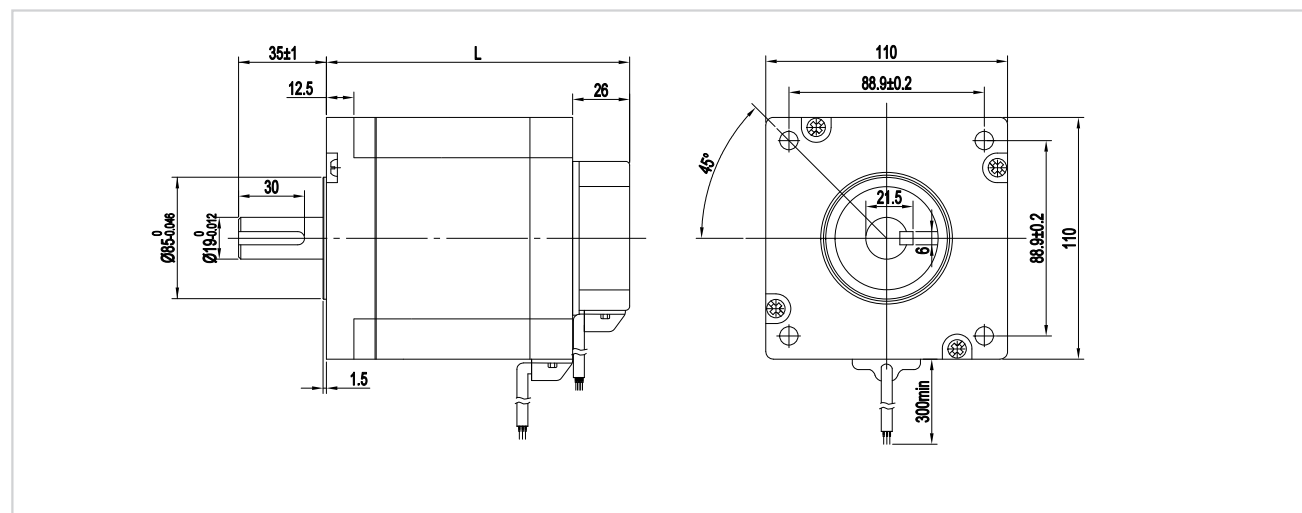
可选配件 ACCESSORIES

- Motor Controllers / Drives
电机驱动与控制器
- Encoder 编码器

110mm系列直流无刷电机

Brushless DC Motors – Nema43

DIMENSIONS (IN MM)



便签

A series of horizontal dotted lines for taking notes.