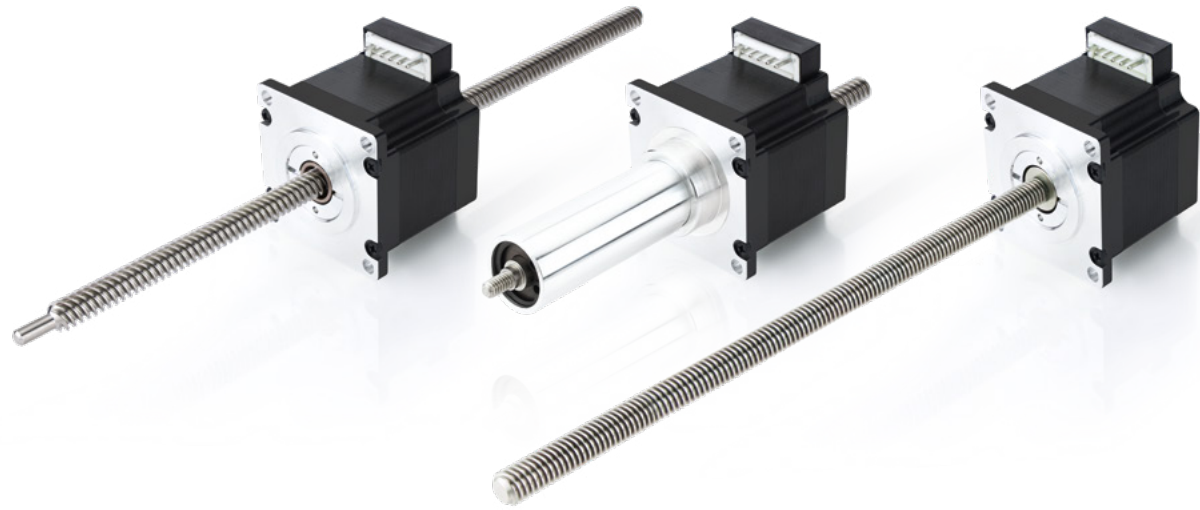


# NEMA 23 (56 mm) 线性执行器

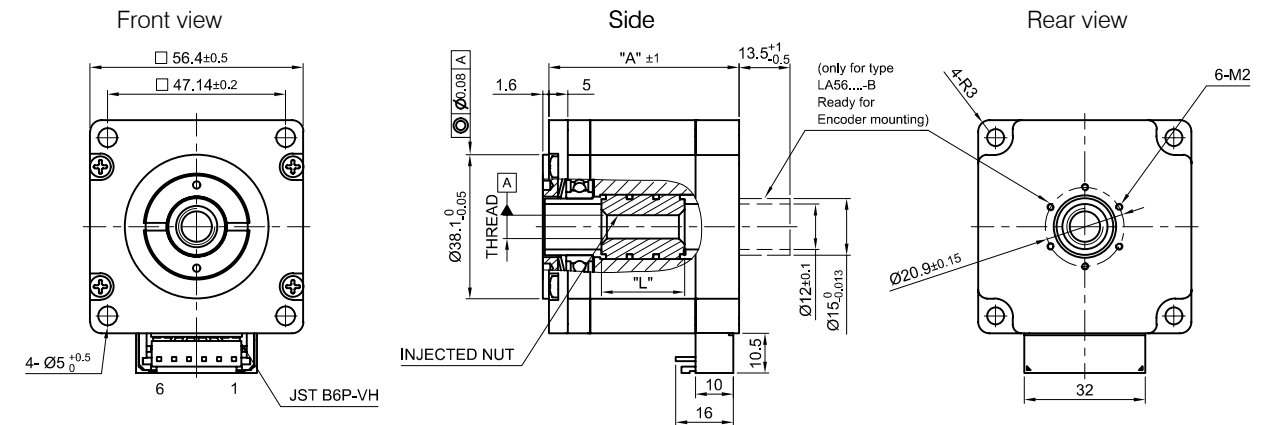


Article	Force (N)	Speed (mm/s)	Current per winding (A)	Resolution (µm/step)	Resistance per winding (Ohm)	Inductance per winding (mH)	Thread diameter (mm)	Thread lead (mm)	Length "A" (mm)	Lead Screw length "L" (mm)	Stroke length "X" (mm)	Weight (kg)
LA561S20-A-UQBN	966.3	22	2.0	7.9	1.5	4.3	9.53	1.586	50.3	-	-	0.58
LA561S20-A-UQKE	352.2	150	2.0	50.8	1.5	4.3	9.53	10.16	50.3	-	-	0.58
LA561S20-A-TSCA	938.9	30	2.0	10	1.5	4.3	10	2	50.3	-	-	0.58
LA561S20-A-TSGA	400	90	2.0	30	1.5	4.3	10	6	50.3	-	-	0.58
LGA561S20-A-UQBN-019	966.3	22	2.0	7.9	1.5	4.3	9.53	1.586	50.3	-	19.05	0.7
LGA561S20-A-UQBN-038	966.3	22	2.0	7.9	1.5	4.3	9.53	1.586	50.3	-	38.1	0.75
LGA561S20-A-UQKE-019	352.2	150	2.0	50.8	1.5	4.3	9.53	10.16	50.3	-	19.05	0.7
LGA561S20-A-UQKE-038	352.2	150	2.0	50.8	1.5	4.3	9.53	10.16	50.3	-	38.1	0.75
LGA561S20-A-TSCA-019	938.9	30	2.0	10	1.5	4.3	10	2	50.3	-	19.05	0.7
LGA561S20-A-TSCA-038	938.9	30	2.0	10	1.5	4.3	10	2	50.3	-	38.1	0.75
LGA561S20-A-TSGA-019	400	90	2.0	30	1.5	4.3	10	6	50.3	-	19.05	0.7
LGA561S20-A-TSGA-038	400	90	2.0	30	1.5	4.3	10	6	50.3	-	38.1	0.75
LSA561S20-A-UQBN-152	966.3	22	2.0	7.9	1.5	4.3	9.53	1.586	50.3	152	-	0.67
LSA561S20-A-UQKE-152	352.2	150	2.0	50.8	1.5	4.3	9.53	10.16	50.3	152	-	0.67
LSA561S20-A-TSCA-152	938.9	30	2.0	10	1.5	4.3	10	2	50.3	152	-	0.67
LSA561S20-A-TSGA-152	400	90	2.0	30	1.5	4.3	10	6	50.3	152	-	0.67

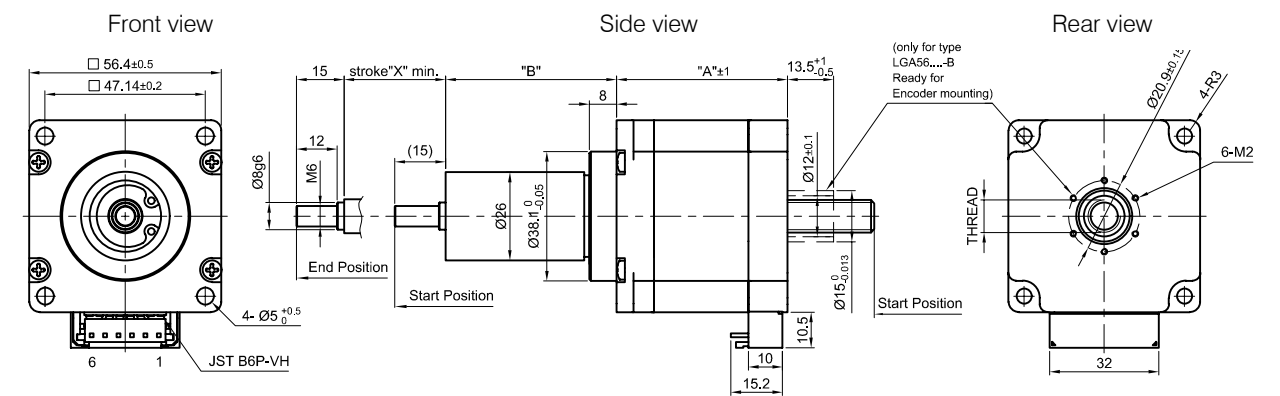
All articles are also available with a second shaft end.

# NEMA 23 (56 mm) 线性执行器

## LA (non-captive)



## LGA (captive)



Stroke	Length "B"	Length "X"
019	29.15	19.05
038	48.2	38.1

## LSA (external)

