

# NEMA 14 (35 mm)线性执行器

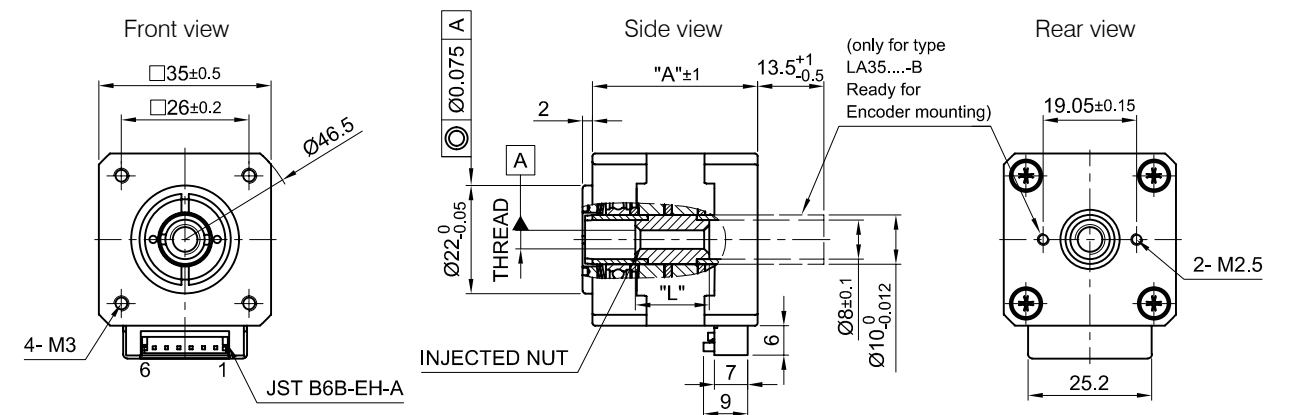


Article	Force (N)	Speed (mm/s)	Current per winding (A)	Resolution (µm/step)	Resistance per winding (Ohm)	Inductance per winding (mH)	Thread diameter (mm)	Thread lead (mm)	Length "A" (mm)	Lead Screw length "L" (mm)	Stroke length "X" (mm)	Weight (kg)
LA351S12-A-UIAP	242.4	13	1.2	3	1.85	2.46	5.56	0.635	33.6	-	-	0.16
LA351S12-A-UIEV	86.2	100	1.2	24.4	1.85	2.46	5.56	4.877	33.6	-	-	0.16
LGA351S12-A-UIAP-019	242.4	13	1.2	3	1.85	2.46	5.56	0.635	33.6	-	19.05	0.19
LGA351S12-A-UIAP-038	242.4	13	1.2	3	1.85	2.46	5.56	0.635	33.6	-	38.1	0.21
LGA351S12-A-UIEV-019	86.2	100	1.2	24.4	1.85	2.46	5.56	4.877	33.6	-	19.05	0.19
LGA351S12-A-UIEV-038	86.2	100	1.2	24.4	1.85	2.46	5.56	4.877	33.6	-	38.1	0.21
LSA351S12-A-UIAP-152	242.4	13	1.2	3	1.85	2.46	5.56	0.635	33.6	152	-	0.18
LSA351S12-A-UIEV-152	86.2	100	1.2	24.4	1.85	2.46	5.56	4.877	33.6	152	-	0.18

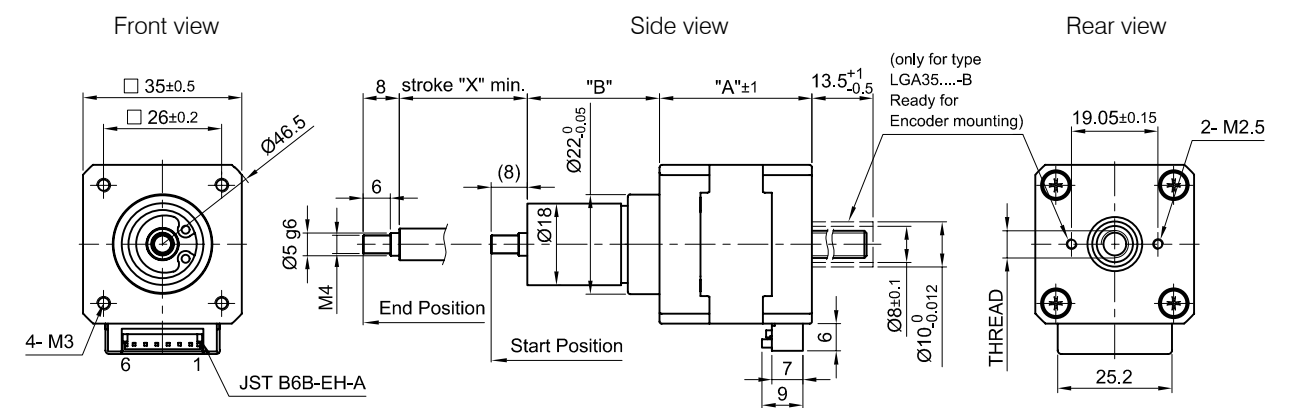
All articles are also available with a second shaft end.

# NEMA 14 (35 mm)线性执行器

LA (non-captive)



LGA (captive)



Stroke	Length "B"	Length "X"
019	29.15	19.05
038	48.2	38.1

LSA (external)

